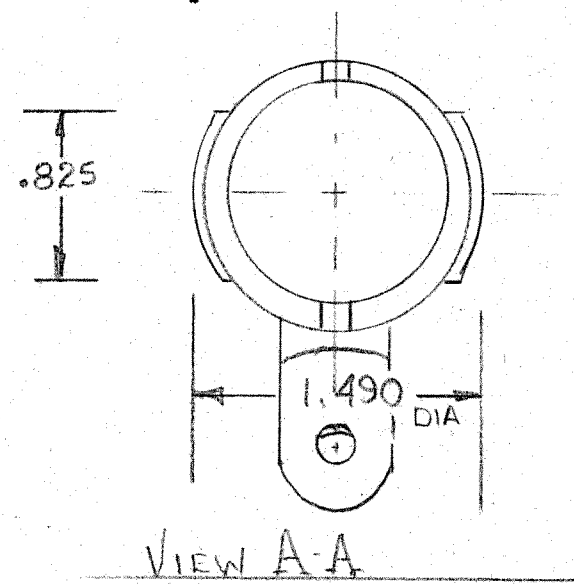
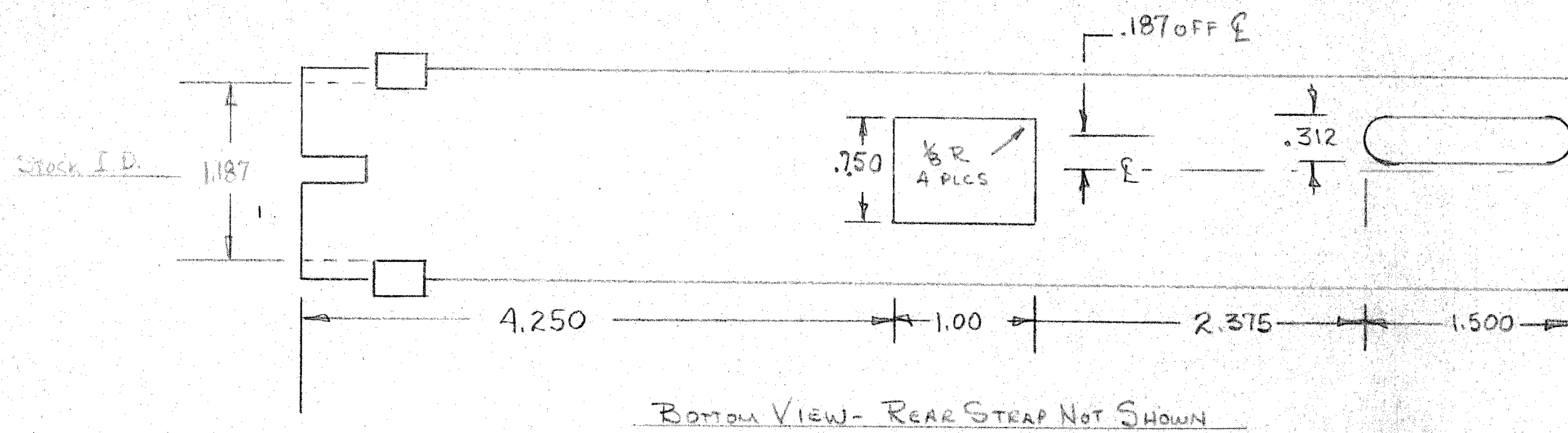
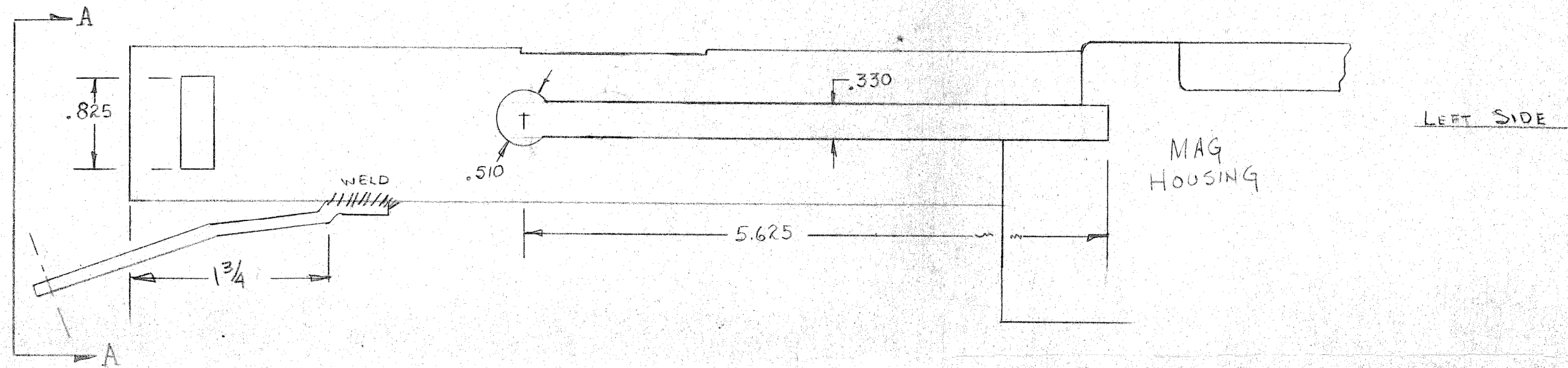
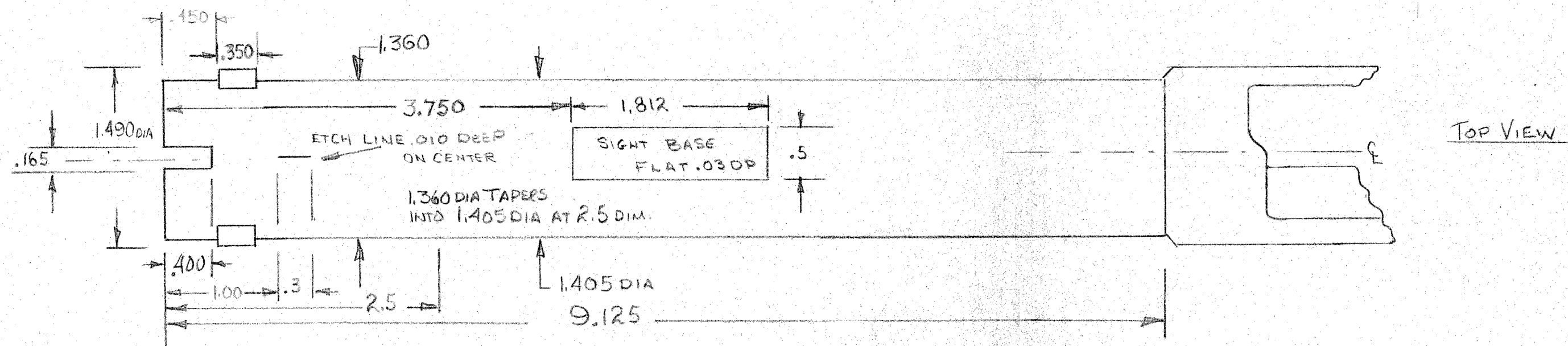




Yugoslav M49/57 SMG





WARNING !!
COMPLETION OF THIS PART
REQUIRES PRIOR BATE APPROVAL.

MATERIAL: 1 1/2 O.D x 1 3/4 I.D STEEL TUBE D.O.M.
FINISH: BLUE TO MATCH

This drawing may be
downloaded free of charge from
<http://www.josreichert.com>. It is
provided by Joseph Reichert,
d/b/a/ Reichert Büchsenmacher
(RB).

TOLERANCES (EXCEPT AS NOTED)	REVISIONS			YUGOSLAV 49/57 CAL. 7.62 TOKAREV		
	NO.	DATE	BY	DRAWN BY	SCALE	MATERIAL
DECIMAL	1	11-20-88	WS	WME	1 to 1	1020-DOM STEEL TUBE
± .010	2			CHK'D	DATE	DRAWING NUMBER
FRACTIONAL	3			WS	4-8-88	1 of 1
± 1/64	4			TRACED	APP'D	
ANGULAR	5			4-7-88	4-8-88	
± 1°	6					