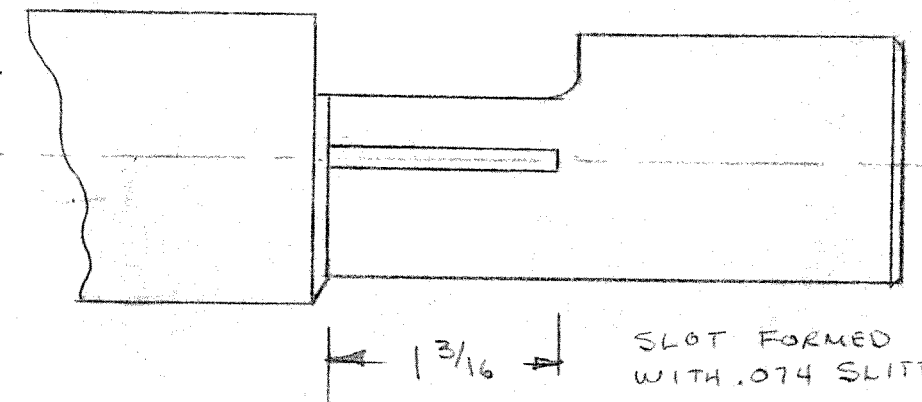
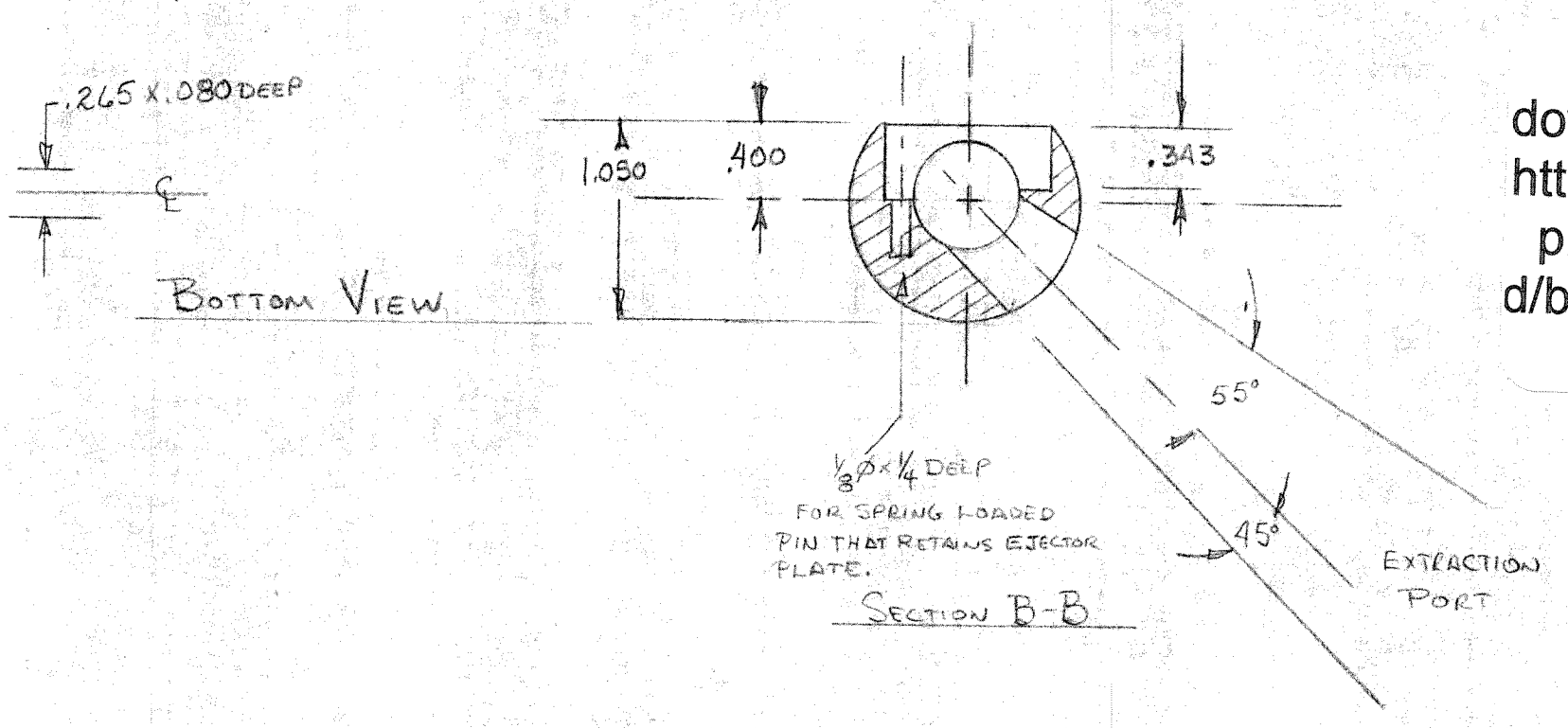
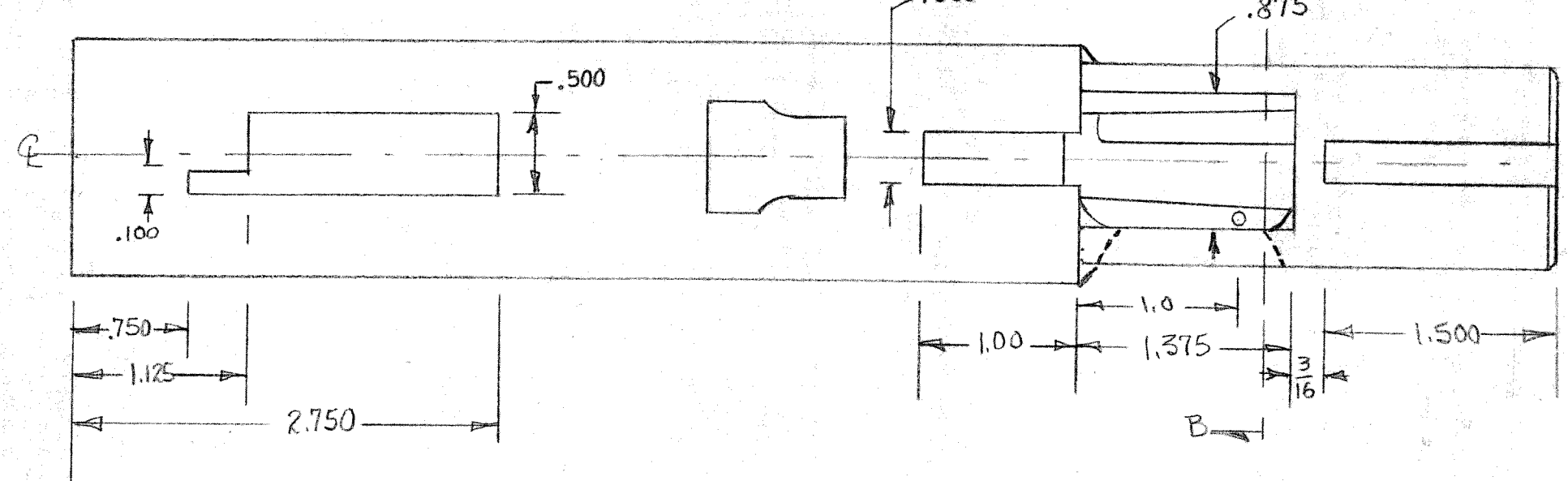
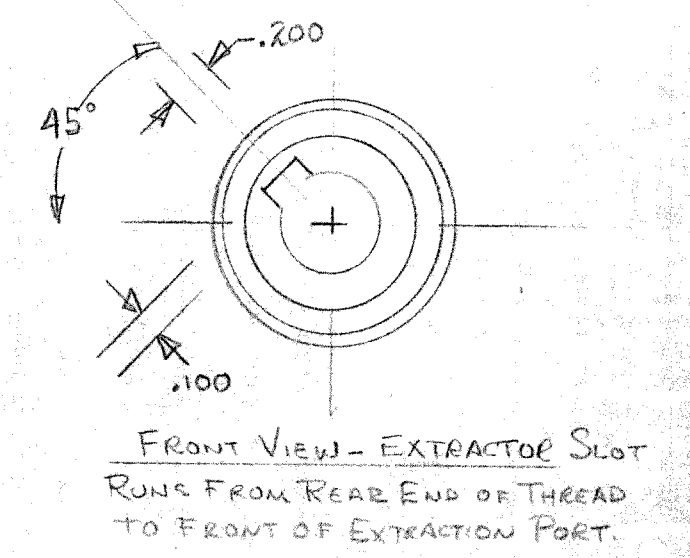
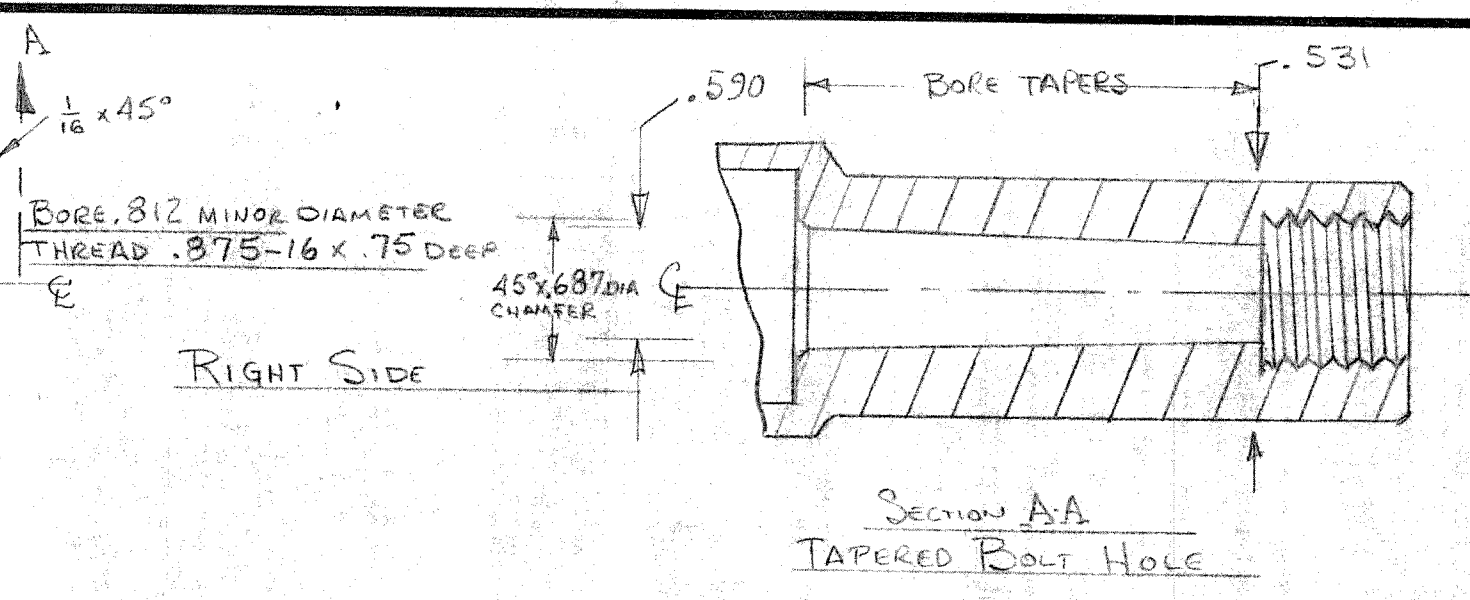
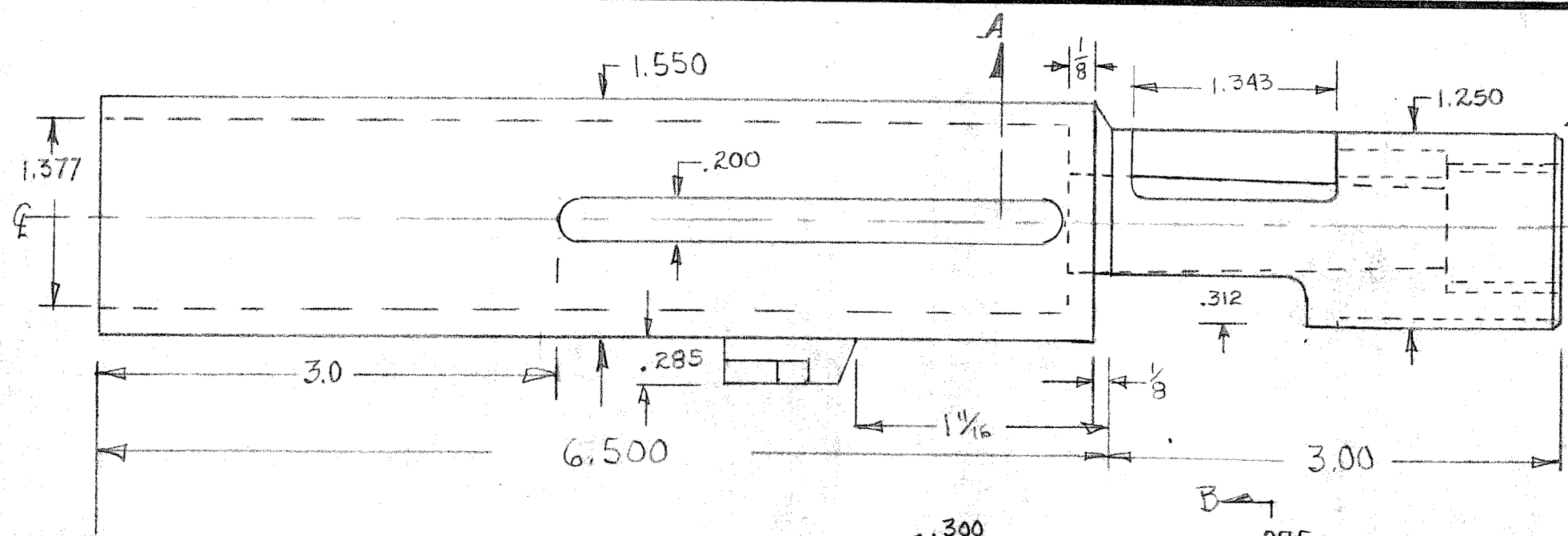
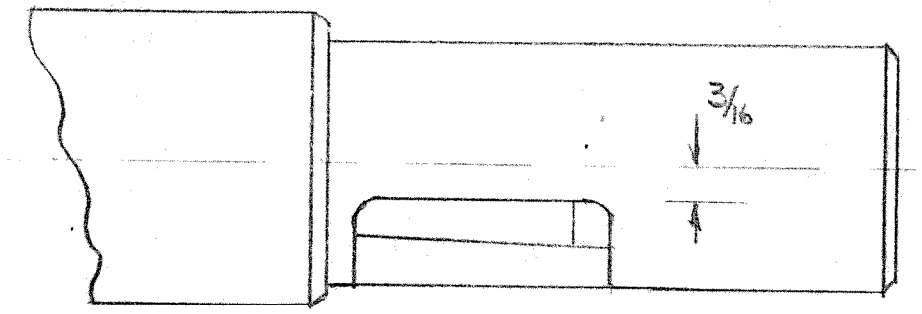


United Defense M42 SMG

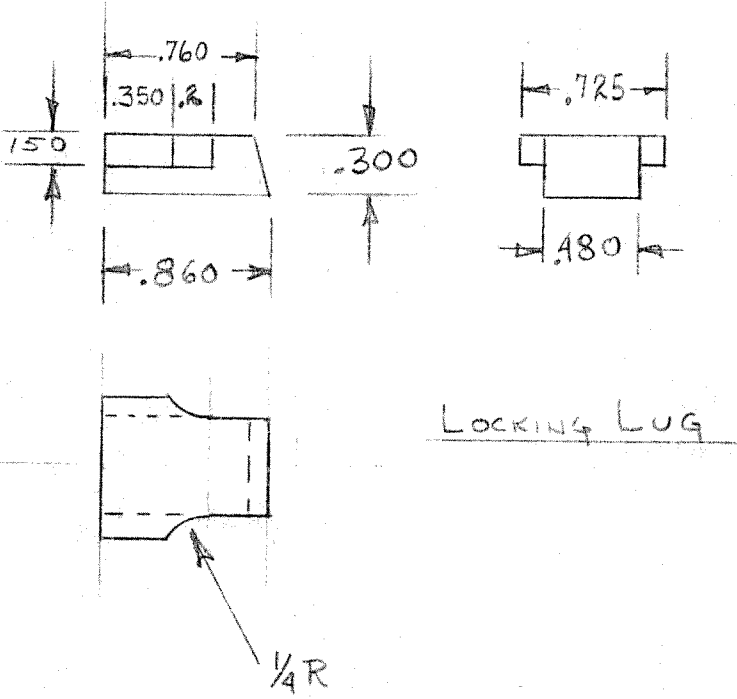




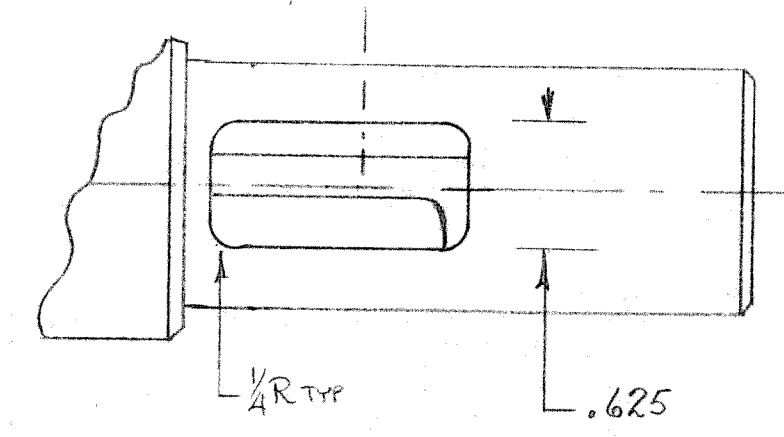
LEFT SIDE - EJECTOR SLOT



TOP VIEW



LOCKING LUG



EXTRACTION PORT ROTATED 45°

This drawing may be downloaded free of charge from <http://www.josreichert.com>. It is provided by Joseph Reichert, d/b/a Reichert Büchsenmacher (RB).

GENERAL NOTES

- MATERIAL: COLD ROLL, HOT ROLL, 4130, 4140, 4340.
- HEAT TREATMENT: 4130, 4140, 4340 28-32 R/C
- FINISH: BLUE
- CALIBER: 9mm
- MAGAZINE CAPACITY: 20 ROUNDS, 40 ROUNDS BACK TO BACK
- RATE OF FIRE: 700 RPM
- ORIGINAL DESIGNER: CARL SWERILJUS, FOUNDER OF HIGH STANDARD.

WARNING !!
COMPLETION OF THIS PART
REQUIRES PRIOR BATF APPROVAL.

TOLERANCES (EXCEPT AS NOTED)	REVISIONS			UD-M42	UNITED DEFENSE SUPPLY CORPORATION MODEL OF 1942. MANUFACTURED BY MARLIN ARMS. TOTAL PRODUCTION APPROXIMATELY 16,000.
	NO	DATE	BY		
DECIMAL	1			DRAWN BY N.E.S.	SCALE FULL
±	2				
FRACTIONAL	3			CHK'D	DATE 7-11-88
±	4				
ANGULAR	5			TRACED	APP'D
±	6				

MATERIAL
4130-4340 COLD ROLL
DRAWING NUMBER
SHEET 1 of 1