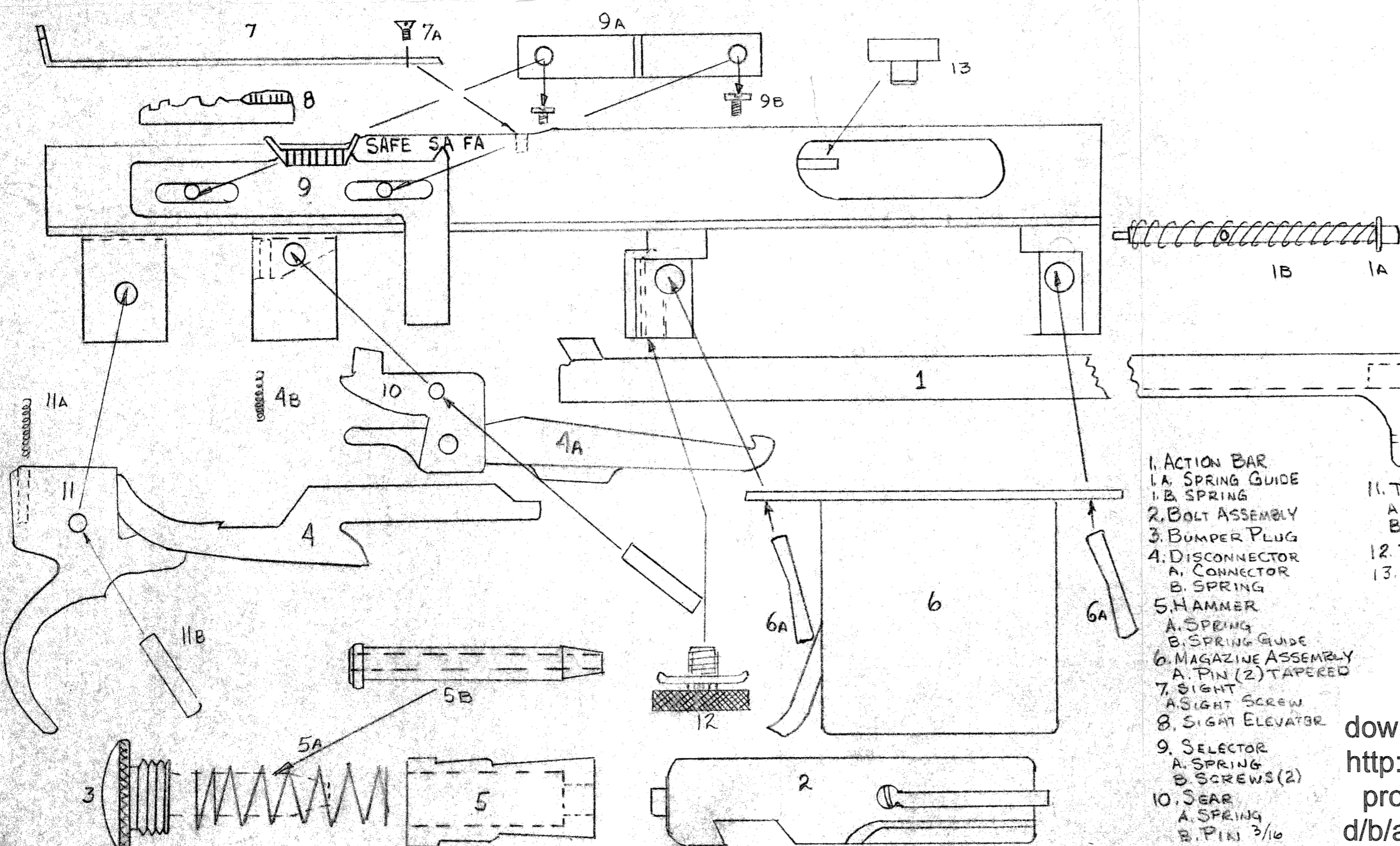
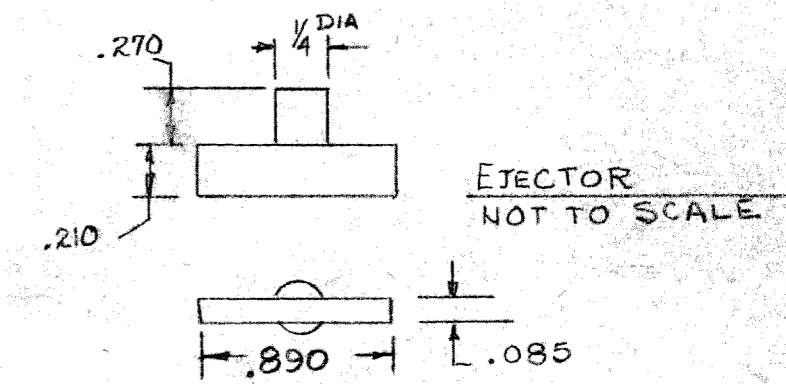
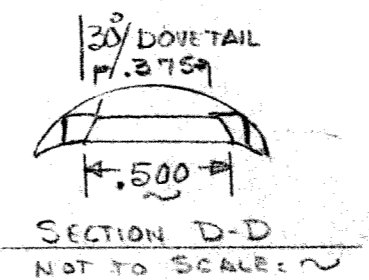
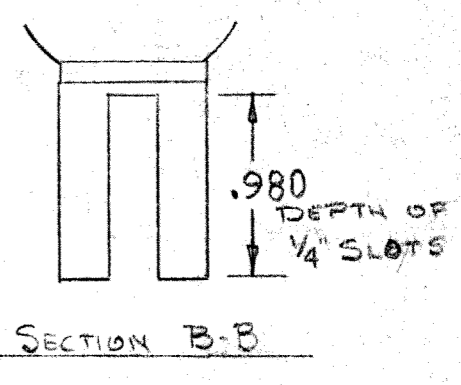
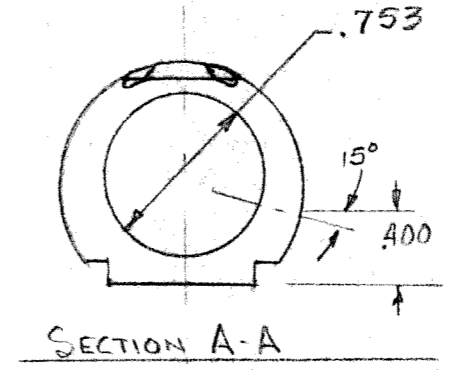
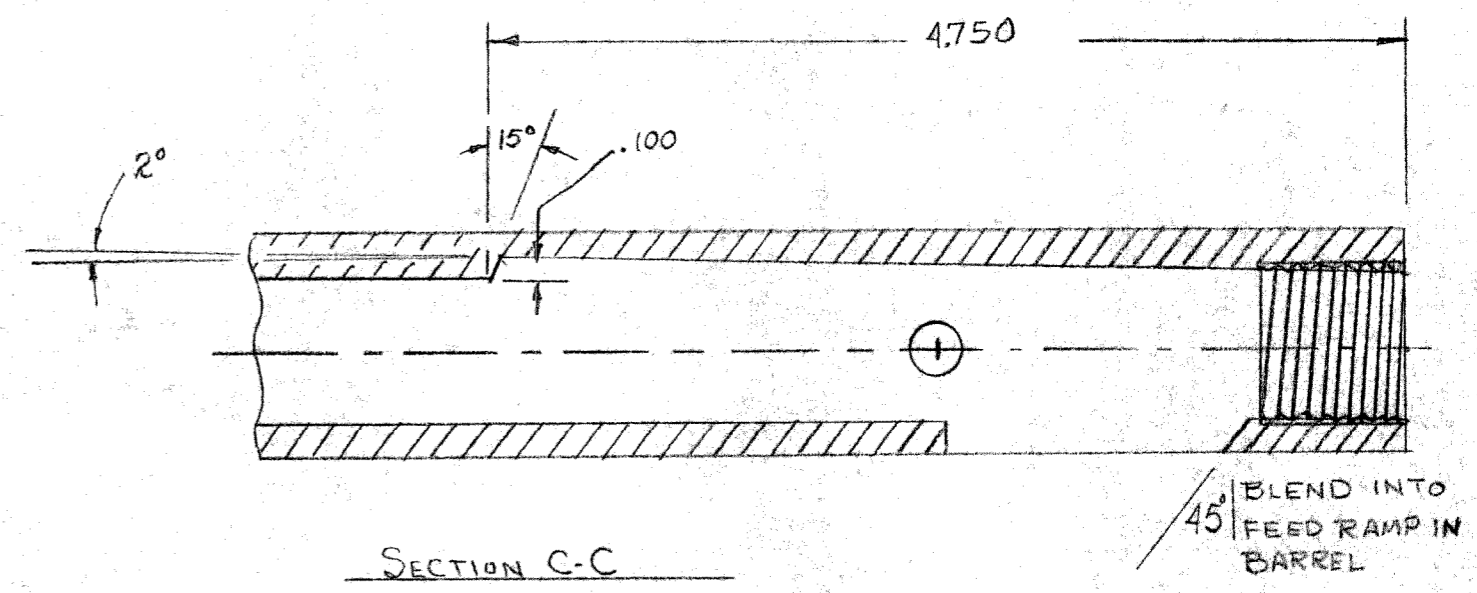
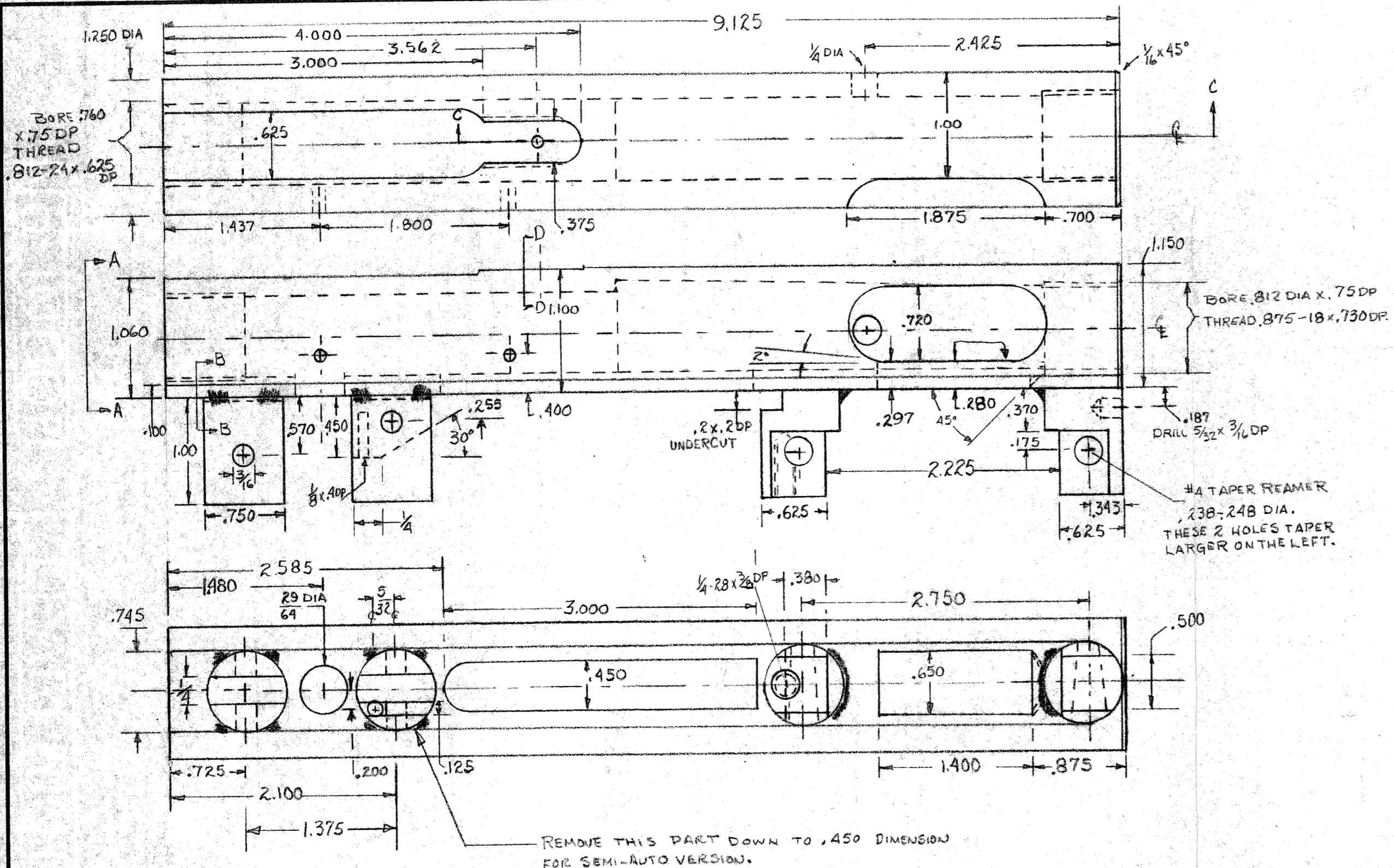


**Reising SMG**





- 1. ACTION BAR
- 1A. SPRING GUIDE
- 1B. SPRING
- 2. BOLT ASSEMBLY
- 3. BUMPER PLUG
- 4. DISCONNECTOR
- A. CONNECTOR
- B. SPRING
- 5. HAMMER
- A. SPRING
- B. SPRING GUIDE
- 6. MAGAZINE ASSEMBLY
- A. PIN (2) TAPERED
- 7. SIGHT
- A. SIGHT SCREW
- 8. SIGHT ELEVATOR
- 9. SELECTOR
- A. SPRING
- B. SCREWS (2)
- 10. SEAR
- A. SPRING
- B. PIN 3/16
- 11. TRIGGER
- A. SPRING
- B. PIN 3/16
- 12. TAKE-DOWN SCREW
- 13. EJECTOR

GENERAL NOTES

1. DARKENED AREAS AROUND 3/4 POST REPRESENT ELECTRIC WELDS AFTER POSTS HAVE BEEN BRAZED OR SILVER BRAZED IN PLACE. JUST LIKE ORIGINAL.
2. .375 AREA OF SIGHT SLOT IS UNDERCUT WITH A 60° DOVETAIL CUTTER.
3. SIGHT AND SELECTOR SWITCH HOLES ARE TAPPED 6-40.
4. EJECTION PORT IS ANGLED TO RESULT IN .280 IN FRONT AND .297 IN REAR.
5. BORE THRU .753 OR REAM BEFORE CUTTING OFFSET.
6. SEMI-AUTO RECEIVER CAN BE ACCOMPLISHED BY NOT CUTTING 1/8 SLOT WITH 30° RAMP AND 1/8 HOLE X .450 OR THIS WILL NOT ALLOW DISCONNECTOR TO BE ASSEMBLED. AND REMOVE THE BOTTOM HALF (.550) REMAINING ON THIS LEG. NOTE ARROW.
7. BY ADDING TUBING BETWEEN END OF BARREL AND FLANG HIDER TO ATTAIN A 16" BARREL LENGTH YOUR SEMI-AUTO RECEIVING WILL BE LEGAL LENGTH AND SIMILAR TO THE MOD 60 SEMI-AUTO. EXTENSION TO BARREL MUST BE SILVER BRAZED PERMANENTLY TO BE LEGAL.

WARNING !!

COMPLETION OF THIS PART IN FULL-AUTO CONFIGURATION REQUIRES PRIOR BATE APPROVAL.

This drawing may be downloaded free of charge from <http://www.josreichert.com>. It is provided by Joseph Reichert, d/b/a/ Reichert Büchsenmacher (RB).

<b>REISING SUBMACHINE GUN</b>		
SCALE: FULL	DATE: 12-18-88	DRAWN BY WES
		REVISED
RECEIVER, PARTS ASSEMBLY AND EJECTOR MOD 50 FULL AUTO - MODEL 60 SEMI-AUTO		
MATERIAL: 1020 STEEL DOM TUBING.	DRAWING NUMBER	
FINISH: MILITARY 50 PARKERIZE; CIVILIAN 50960 BLUE	R-201	