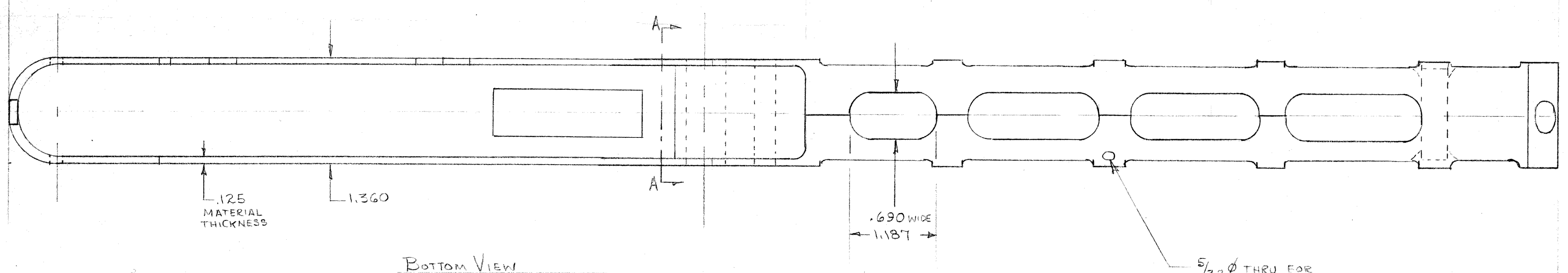
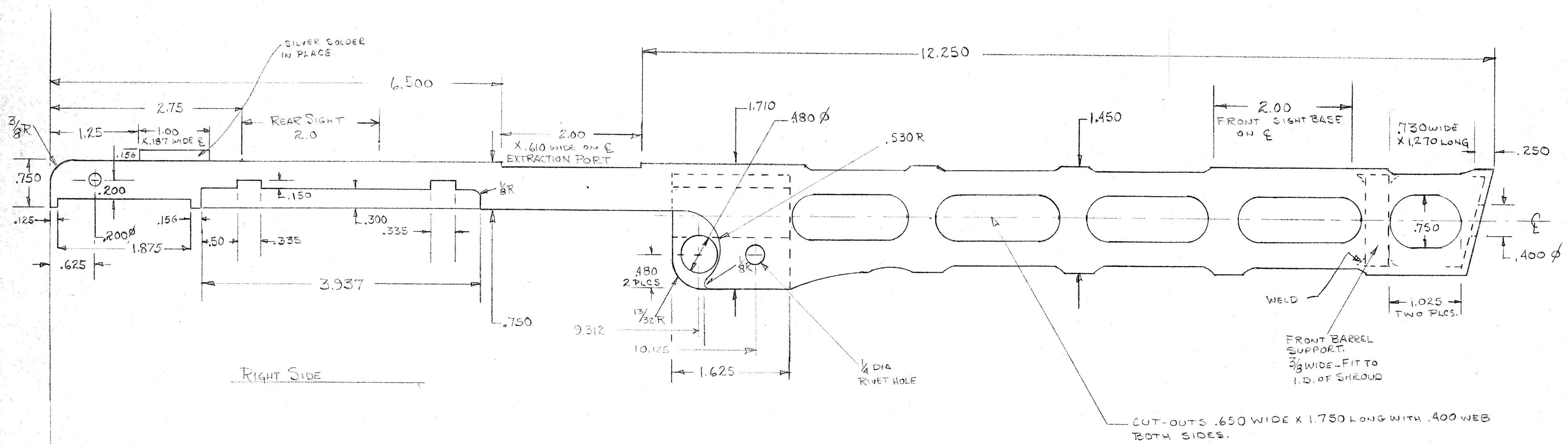
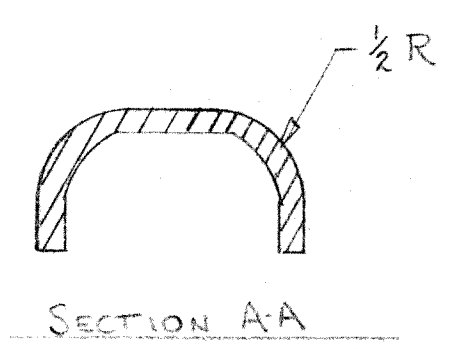


PPSH 41





NOTES:
 CARTRIDGE 7.62 TOKAREV
 CYCLIC RATE 900
 WEIGHT LOADED 12 lbs WITH DEUM MAGAZINE
 BARREL LENGTH 10.6"
 MUZZLE VELOCITY 1600 FPS
 REFERENCE: THE WORLD'S SUBMACHINE GUNS, NELSON VOL 1
 BORE BARREL BLOCK AND BARREL SUPPORT TO SLIP FIT YOUR BARREL



WARNING !!
 COMPLETION OF THIS PART
 REQUIRES PRIOR BATF APPROVAL.

This drawing may be
 downloaded free of charge from
<http://www.josreichert.com>. It
 is provided by Joseph Reichert,
 d/b/a/ Reichert Büchsenmacher
 (RB).

PPSH-41 - RUSSIAN		
SCALE: 1 to 1	APPROVED BY:	DRAWN BY: W.E.S.
DATE: 4-10-90		REVISED:
MATERIAL: 1/8 MILD STEEL SHEET. CUT-OUTS STAMPED THEN SHROUD AND BACK RADIUS FORMED.		
FINISH: BLUE	DRAWING NUMBER PP 41	