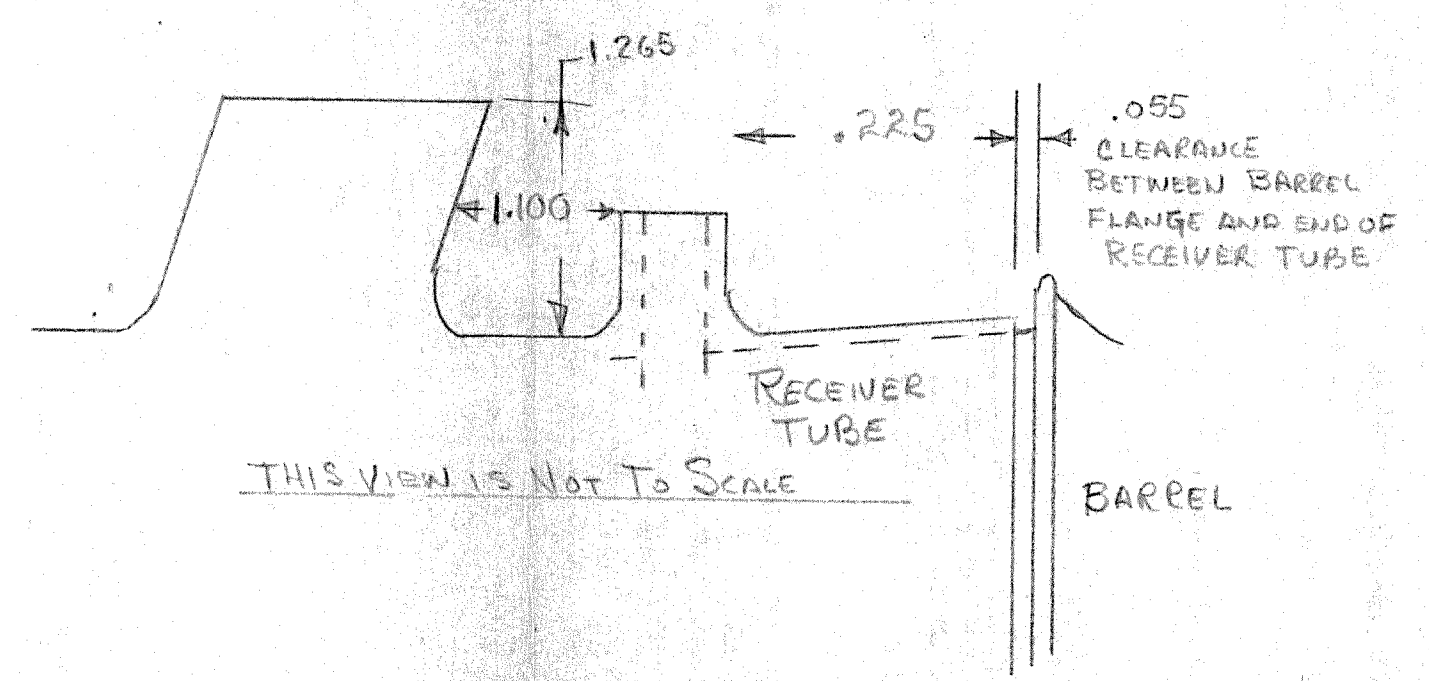
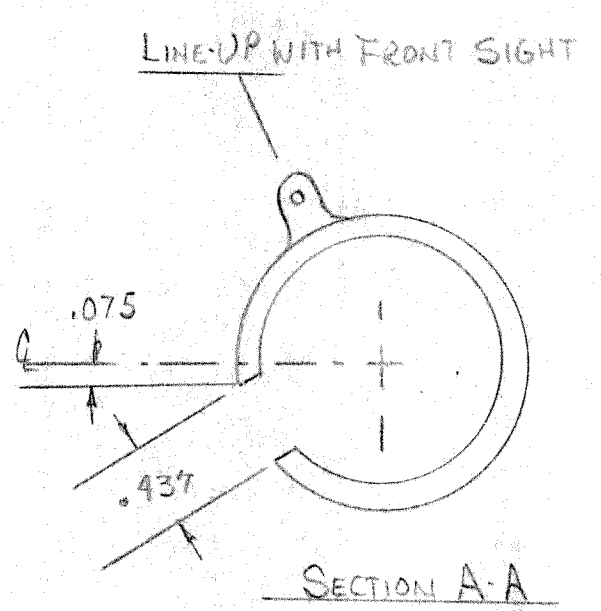
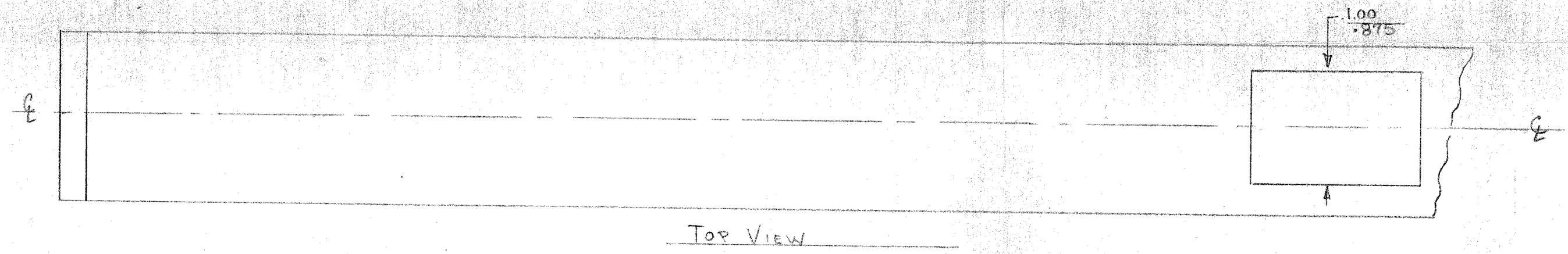
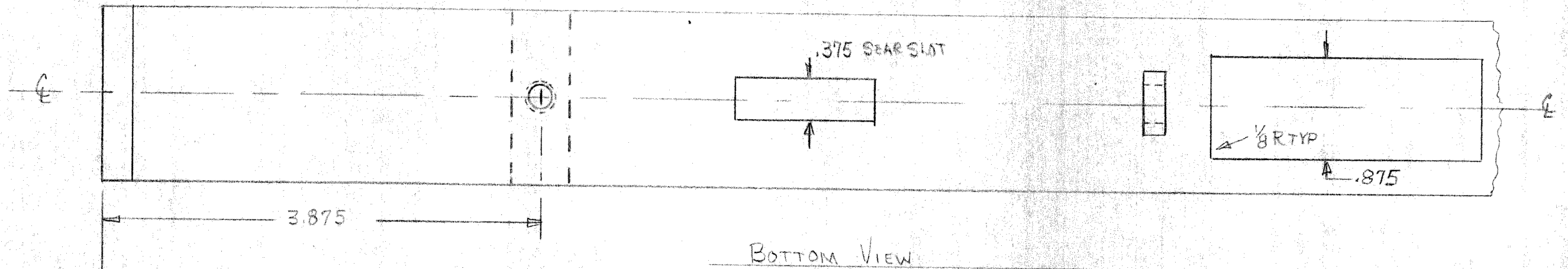
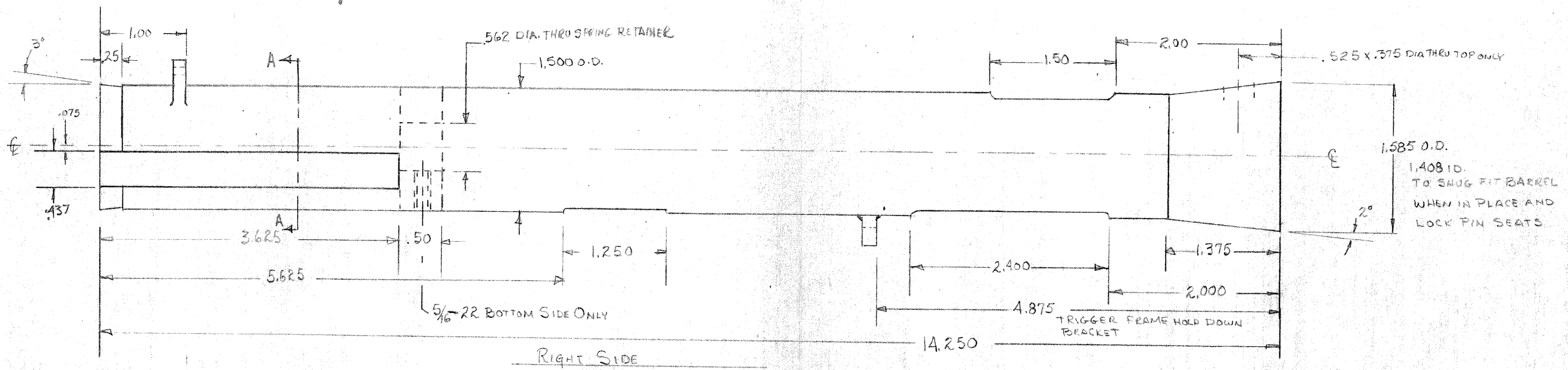




Owen MkII SMG





GENERAL NOTES

1. SOME KITS COME WITH FRONT PARTS INTACT. IF THIS IS YOUR CASE, THEN REAR PART OF TUBE CAN BE ALIGNED AND BUTT WELDED.
2. IF PARTS ARE LOOSE, REFER TO "NOT TO SCALE" VIEW FOR THEIR LOCATION.
3. 5/16-22 THREAD IS BRITISH, SUBSTITUTE #7 DILL (20 DIA) AND TAP 1/4-20 THREAD. REPLACE ORIGINAL WITH #7-20 SCREW WITH ROUND HEAD.
4. SPRING RETAINER IS 1.312 O.D. WITH .562 HOLE IN CENTER AND 1/2" WIDE. WELD IN PLACE BY DRIVING 3 OR 4 EQUALLY SPACED HOLES AT 3.875, BUT NOT IN BOTTOM WHERE SCREW GOES. ARC WELD IN PLACE. THEN DRILL HOLE IN BOTTOM FOR TRIGGER FRAME HOLD DOWN SCREW.
5. WHEN 3° TAPER IS CUT ON REAR OF TUBE IT SHOULD MEASURE 1.480 AT SMALL END. DUST COVER FITS IN PLACE OVER THIS TAPER.
6. EARLY MODEL BARRELS WERE FINNED. LATE MODEL BARRELS WERE PLAIN.

WARNING:
COMPLETION OF THIS PART
REQUIRES PRIOR BATH
APPROVAL.

This drawing may be
downloaded free of charge from
<http://www.josreichert.com>. It is
provided by Joseph Reichert,
d/b/a/ Reichert Büchsenmacher
(RB).

OWEN SUBMACHINE GUN MK II	
SCALE: FULL	DRAWN BY: W.S.
DATE: 7-16-89	REVISED:
RECEIVER - MODEL 1943	
MATERIAL: 1.625 O.D. X 1.312 I.D. O.M. STEEL TUBE	DRAWING NUMBER
FINISH: PARKERIZE THEN PAINT BLACK OR CAMOUFLAGE	ON-102