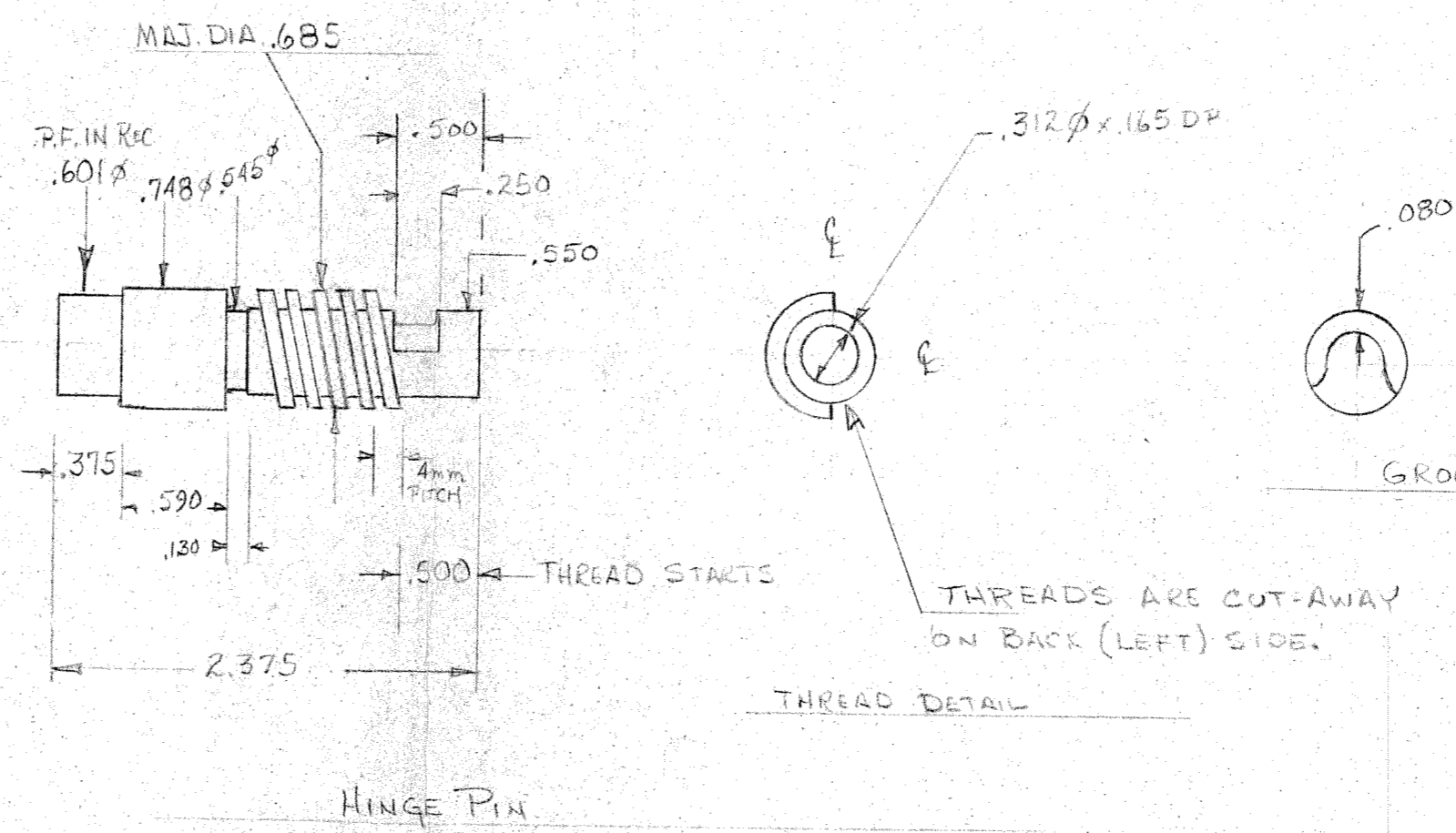
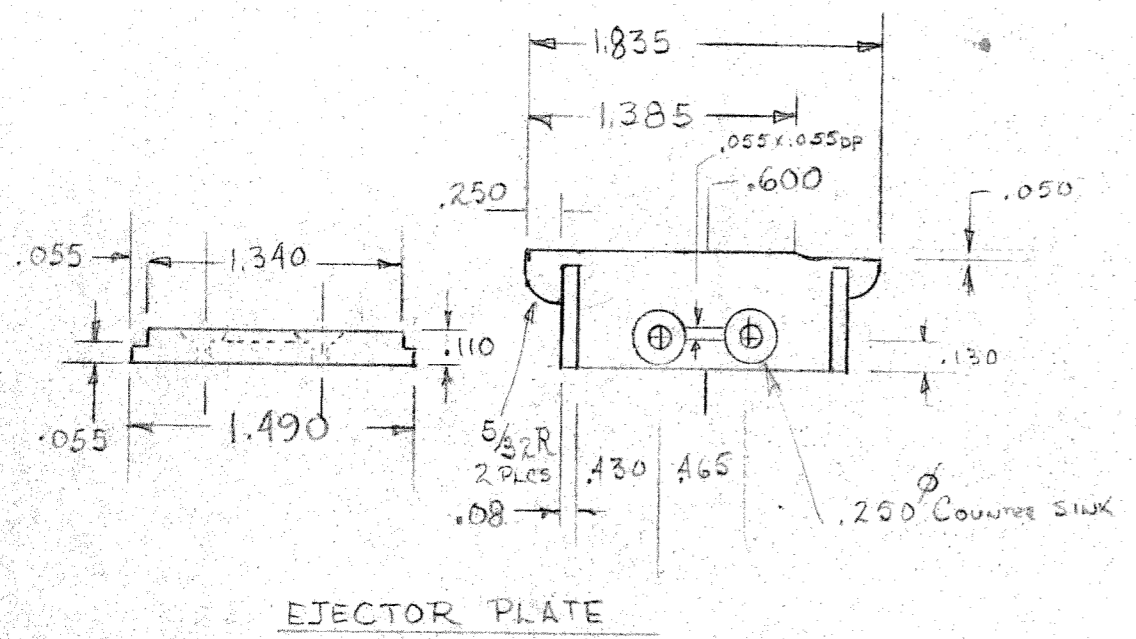
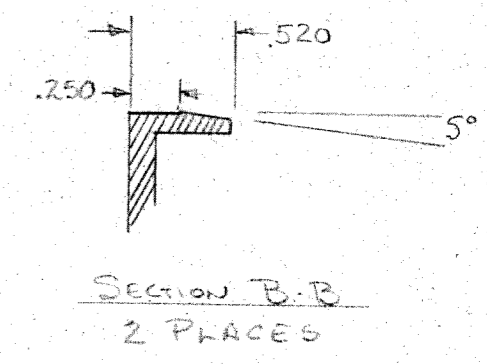
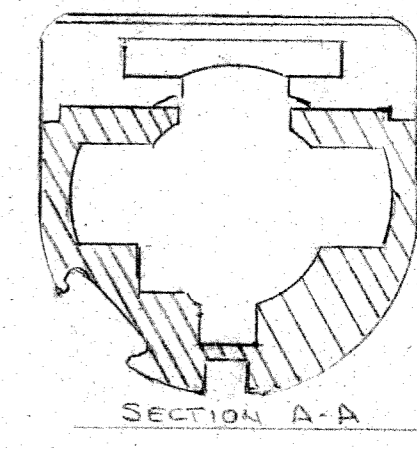
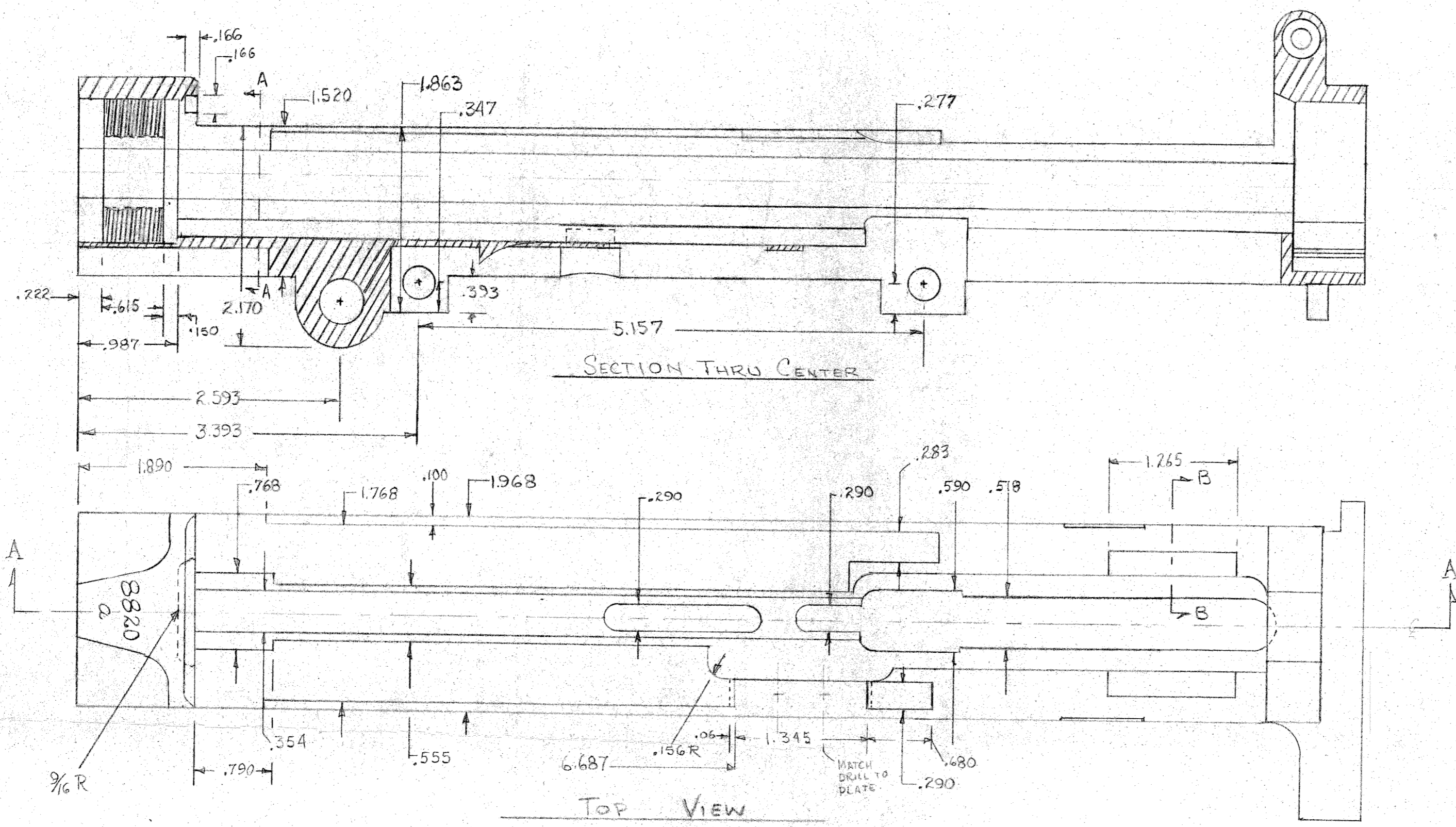




MG34



GROOVE DETAIL

NOTES:

- WEIGHT OF MACHINE GUN WITH BIPOD 26 3/4 lbs
- WEIGHT OF MACHINE GUN WITHOUT BIPOD 24 1/4 lbs
- WEIGHT OF BARREL 4.44 lbs
- OVER-ALL LENGTH 48 1/2 in.
- LENGTH OF BARREL 24 1/2 in.
- CALIBER (7.92) 8mm
- RIFLING 4 RIGHT-HAND GROOVES
- CYCLIC RATE OF FIRE 800 TO 900 ROUNDS PER MIN.
- REFERENCE: TM E9-206A .13 APRIL 1943

This drawing may be downloaded free of charge from <http://www.josreichert.com>. It is provided by Joseph Reichert, d/b/a Reichert Büchsenmacher (RB).

WARNING: THIS PRINT IS FOR REFERENCE ONLY. COMPLETION REQUIRES PRIOR BATE APPROVAL.

MG-34, RECEIVER	
SCALE: FULL	DRAWN BY WES
DATE: 1-1-89	REVISED
TOP VIEW, CUT-AWAY, EJECTOR PLATE, HINGE PIN	
MG-34 DUAL PURPOSE MACHINE GUN	DRAWING NUMBER MG3402