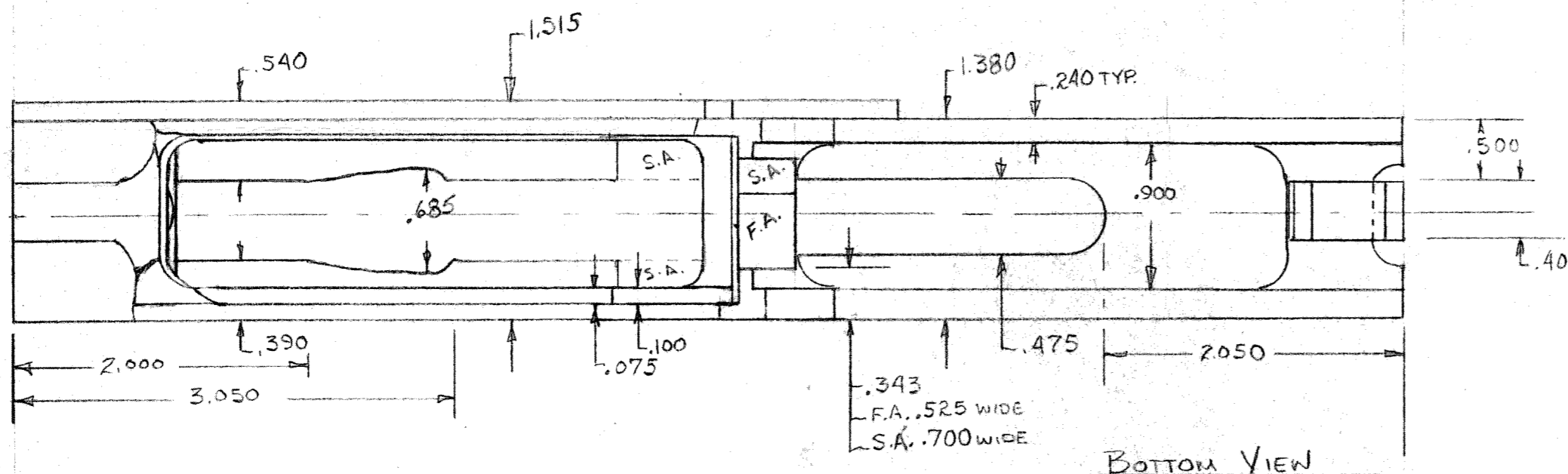
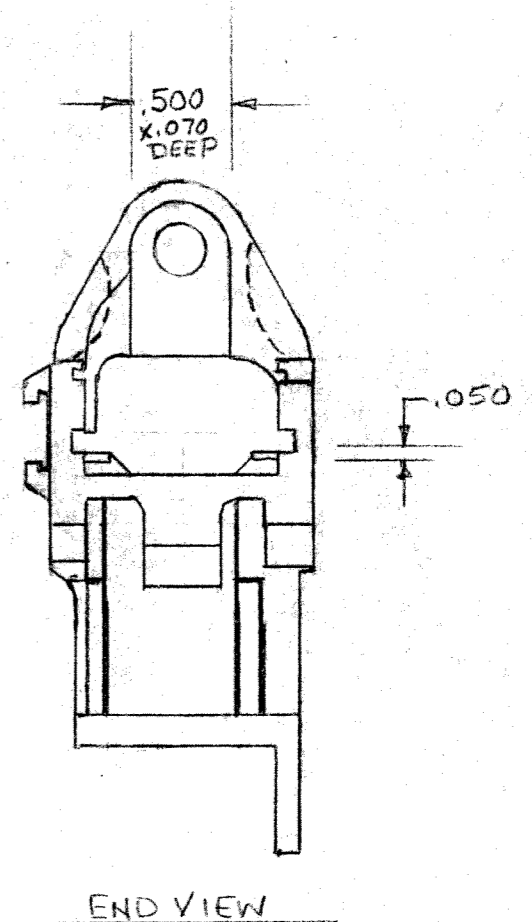
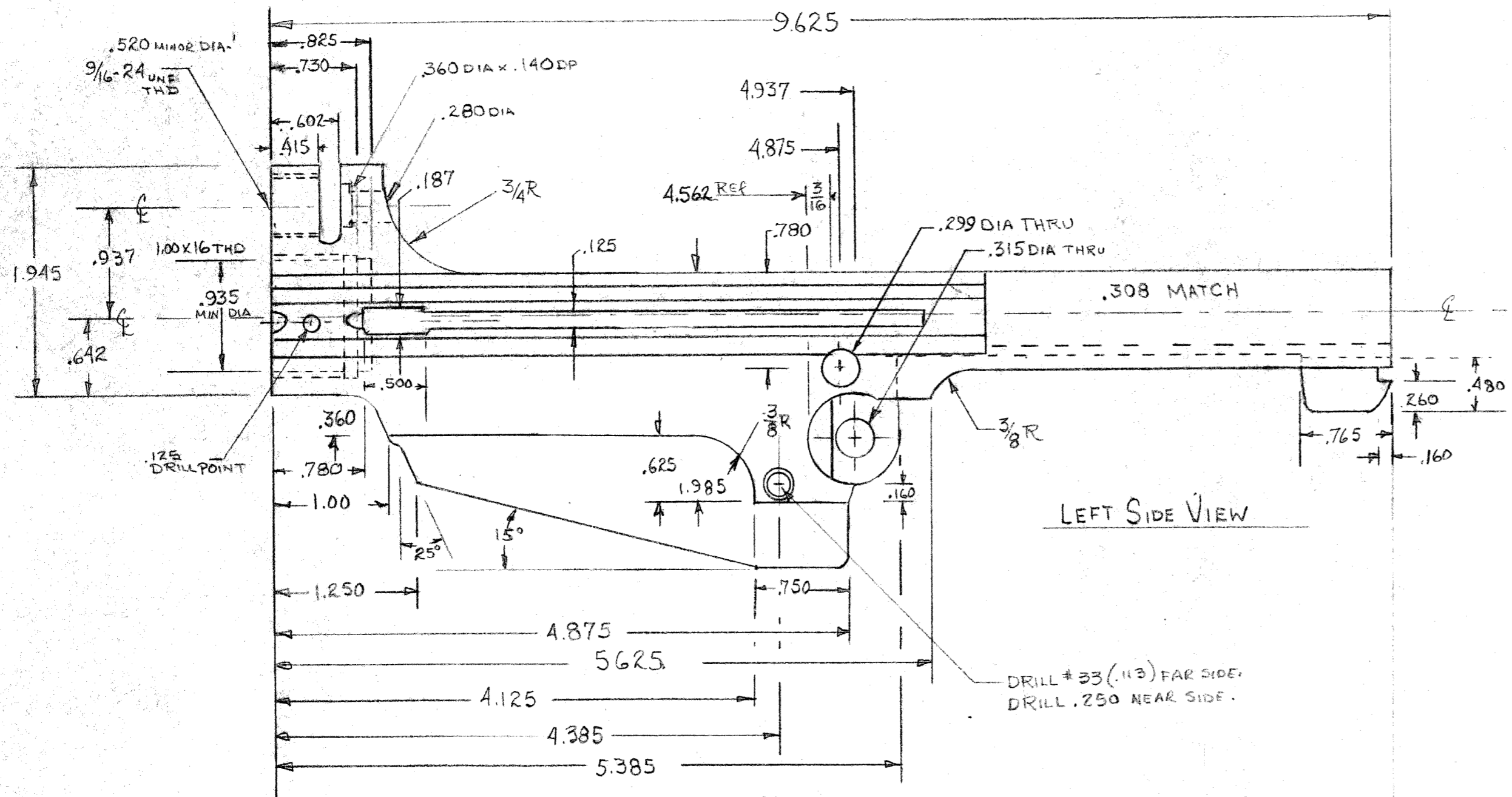
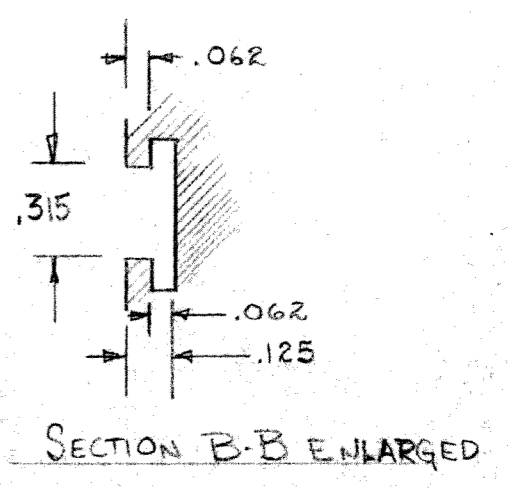
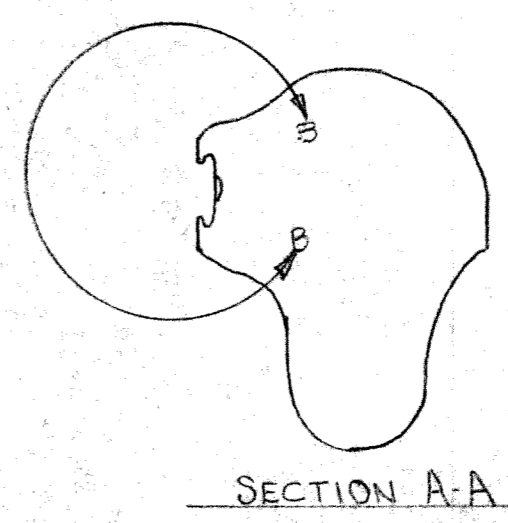
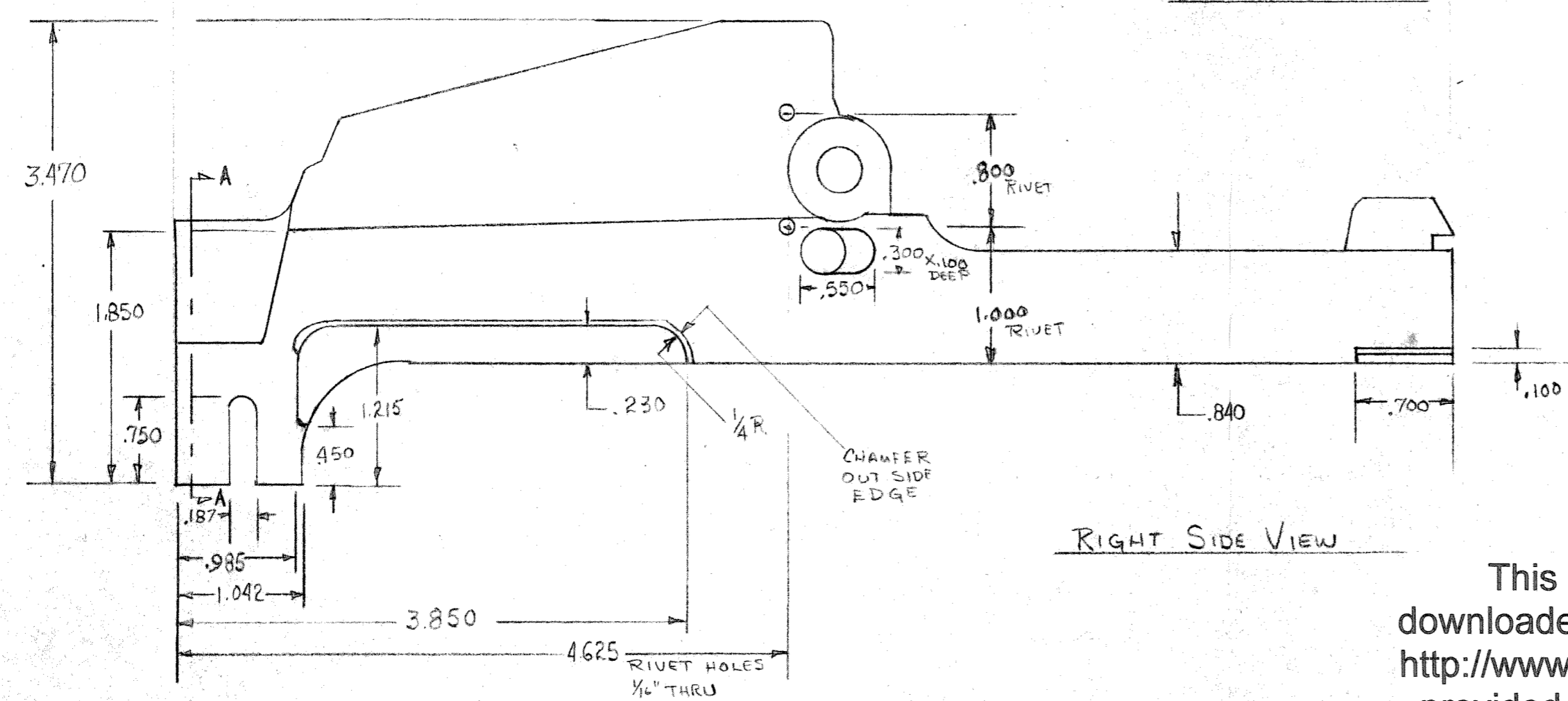


**FN-FAL Rifle**



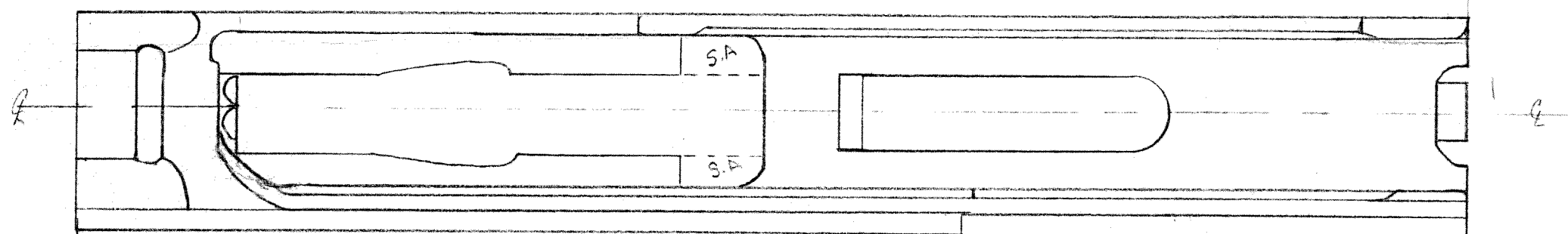
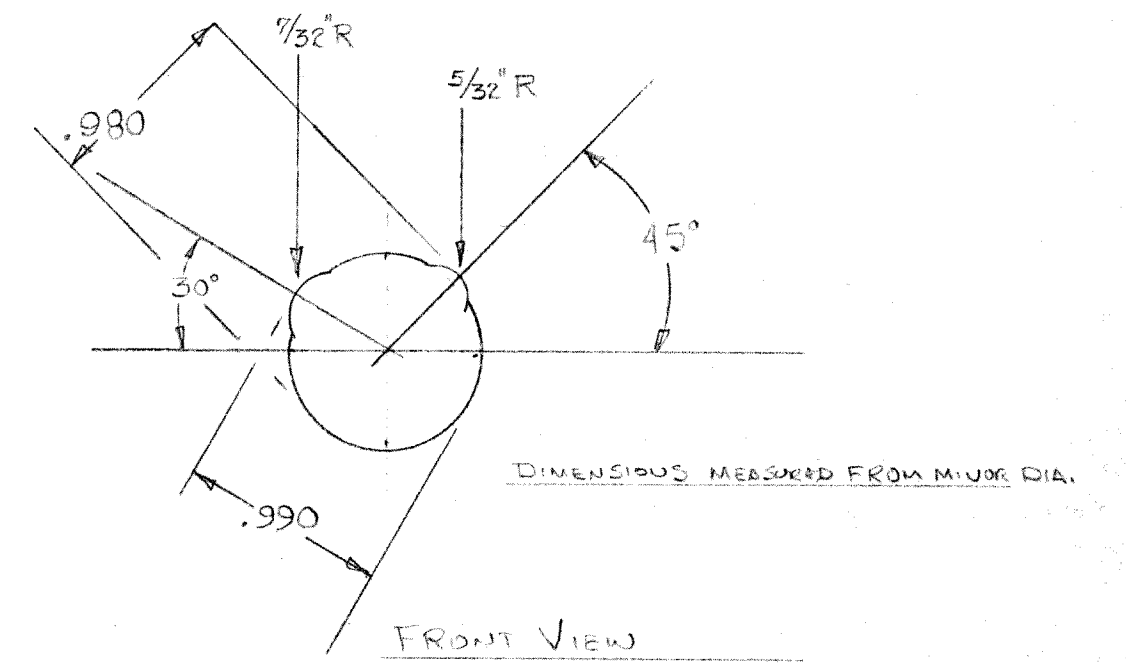
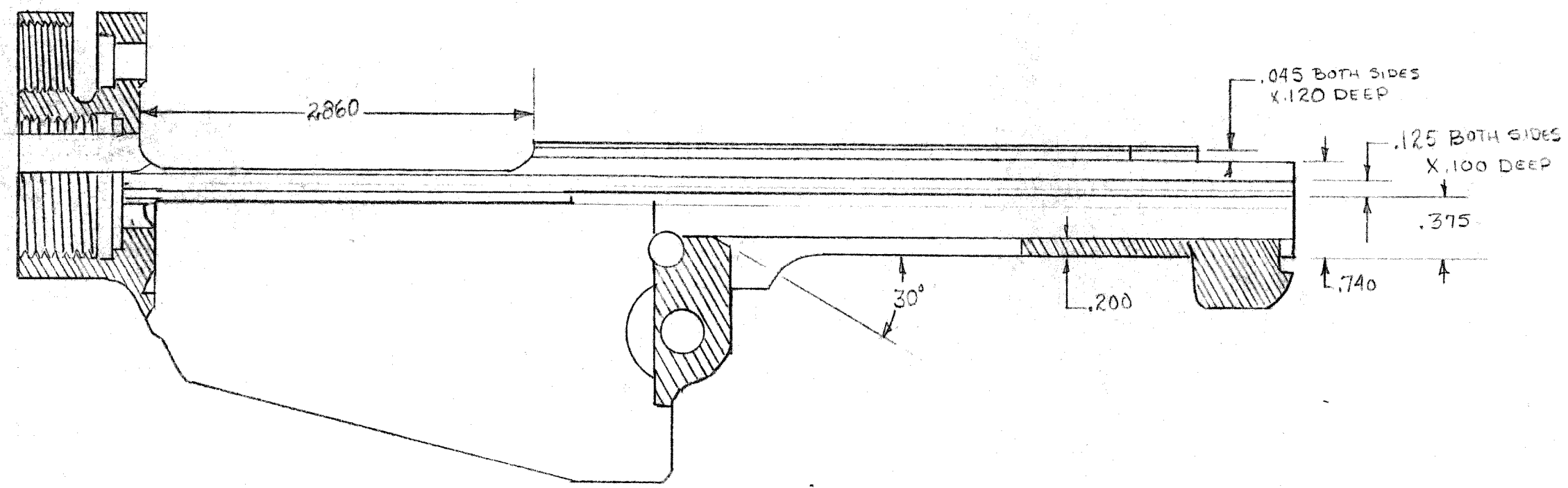


**WARNING:**  
COMPLETION OF THIS PART IN FULL AUTO MODE REQUIRES PRIOR PERMISSION FROM BATF



This drawing may be downloaded free of charge from <http://www.josreichert.com>. It is provided by Joseph Reichert, d/b/a/ Reichert Büchsenmacher (RB).

FN-FAL RECEIVER FULL AUTO		
SCALE: FULL	APPROVED BY:	DRAWN BY: WES
DATE: 7-17-90		REVISED:
MATERIAL: 4130, 4140, 4340 PREHEAT TREATED R/C 28-32		
FINISH: PARKERIZE		
SHEET 1 of 2		DRAWING NUMBER: FN001



**GENERAL NOTES**

S.A. DENOTES SEMI-AUTO  
 F.A. DENOTES FULL AUTO  
 ALL DIMENSIONS ARE IN DECIMALS.  
 METRIC BARREL IS 25mm (.9843) x 1.5  
 BRITISH BARREL IS ALSO DIFFERENT

**WARNING:**

COMPLETION OF THIS PART IN  
 FULL AUTO MODE REQUIRES PRIOR  
 PERMISSION FROM BATF.

This drawing may be  
 downloaded free of charge from  
<http://www.josreichert.com>. It is  
 provided by Joseph Reichert,  
 d/b/a/ Reichert Büchsenmacher  
 (RB).

FN-FAL RECEIVER FULL AUTO		
SCALE: FULL EXCEPT WHERE SHOWN OTHERWISE	APPROVED BY:	DRAWN BY W.E.S.
DATE: 7-19-90		REVISED
SHEET 2 OF 2		DRAWING NUMBER FN 002