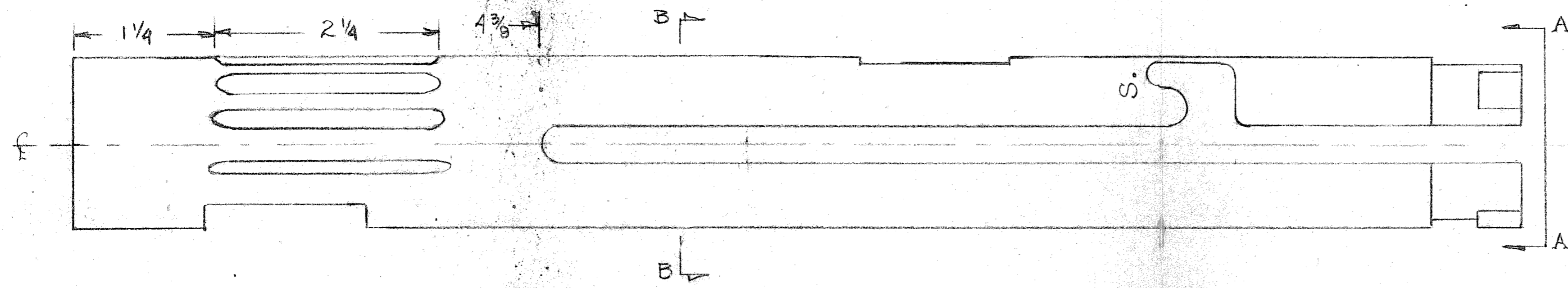
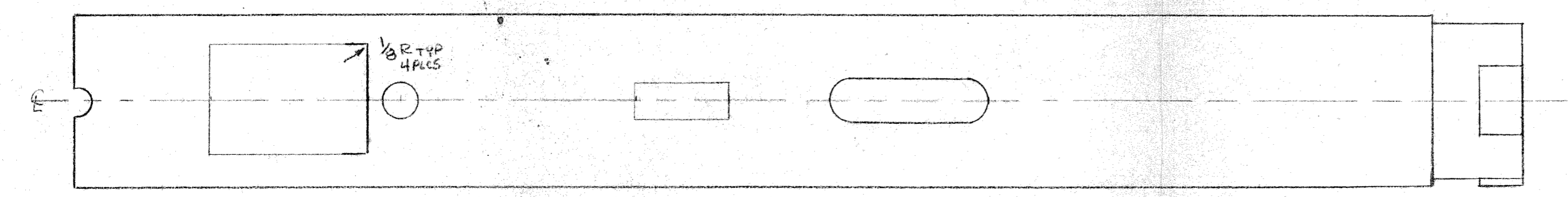


Beretta M38A SMG

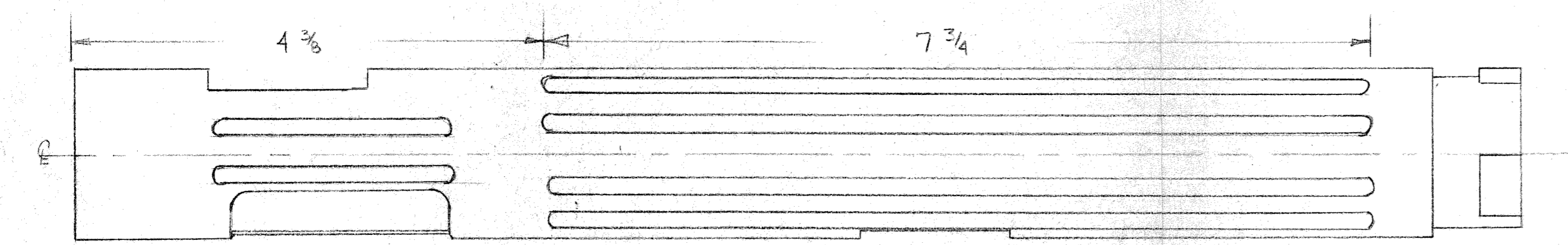




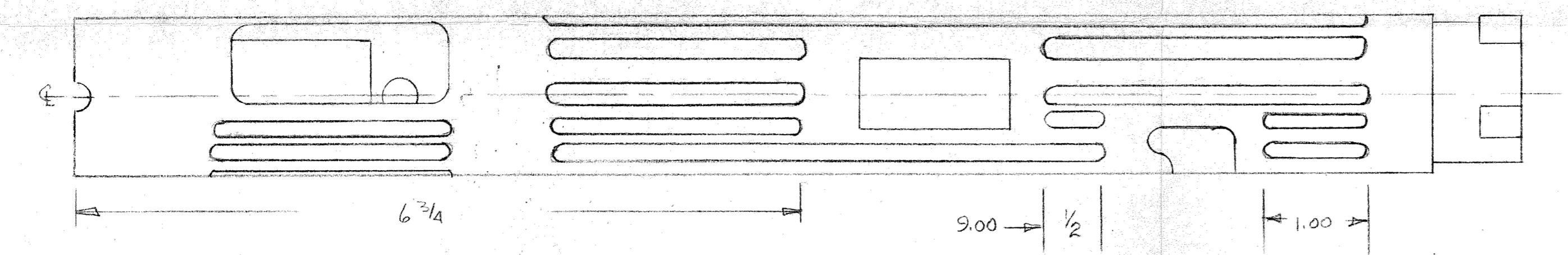
LEFT SIDE



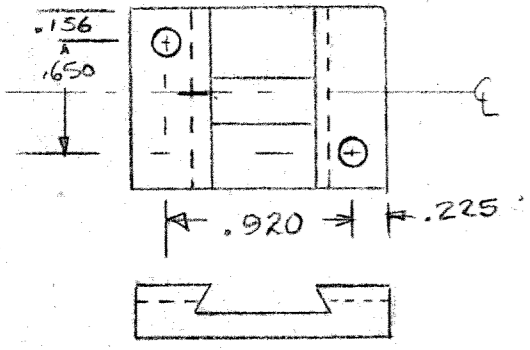
BOTTOM



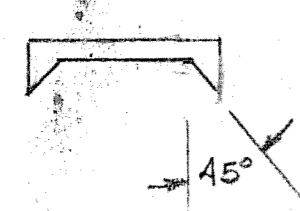
RIGHT SIDE



TOP



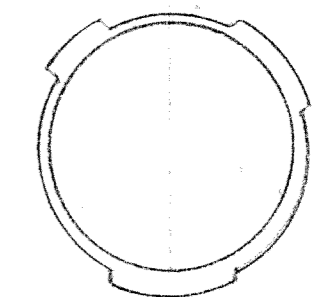
REAR SIGHT BASE
MATERIAL: 1020 STEEL
#33 DRILL - CLEARANCE FOR 4-40 SCREW



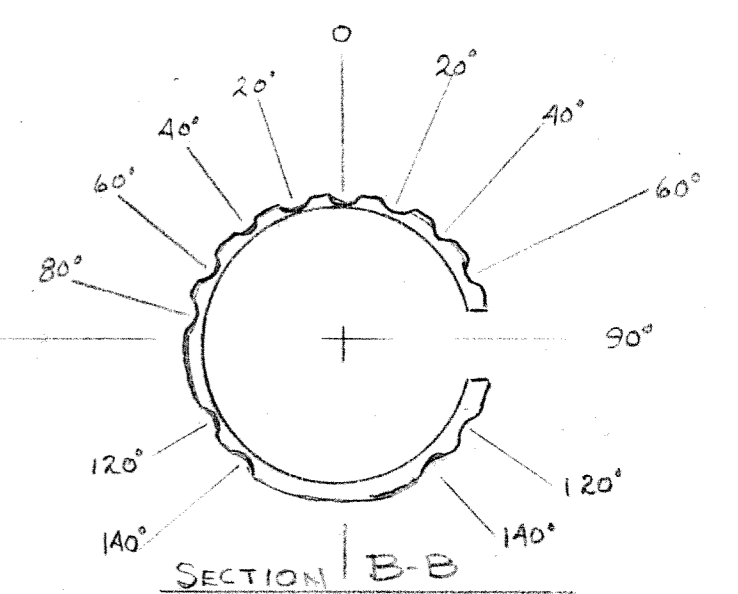
SLOT NOTES

- MAG. HOUSING - 5 SLOTS ON LEFT SIDE @ 20°, 40°, 60°, 80° AND 100° AREA
- 2 SLOTS ON RIGHT SIDE @ 80° AND 100°
- MAIN BODY - 4 SLOTS RIGHT SIDE 7 3/4 LONG @ 60°, 80°, 120°, 140°
- 5 SLOTS TOP SIDE 2 1/4 LONG @ 0°, 20°, 40°
- 1 SLOT LEFT SIDE 5 1/8 LONG @ 60°
- 4 SLOTS TOP REAR 3" LONG @ 0°, 20°, 40° RIGHT, AND 20° LEFT
- 2 SLOTS TOP REAR LEFT 1.0 LONG @ 20°, 40°
- 1 SLOT REAR LEFT 1/2" LONG @ 20°

SLOTS FORMED WITH A CUTTER .200 WIDE FULL RADIUS X .030 DEEP
NO SAFETY NOTCH IS CUT AT FRONT END OF BOLT CHANNEL
NO CORNER RELIEF IS CUT IN REAR OF MAGAZINE WELL
O.D. OF TUBE SHOULD MATCH I.D. OF MAG HOUSING AND REAR CUP OF TRIGGER FRAME
REFER TO MD-40 PRINT FOR ALL OTHER DIMENSIONS.



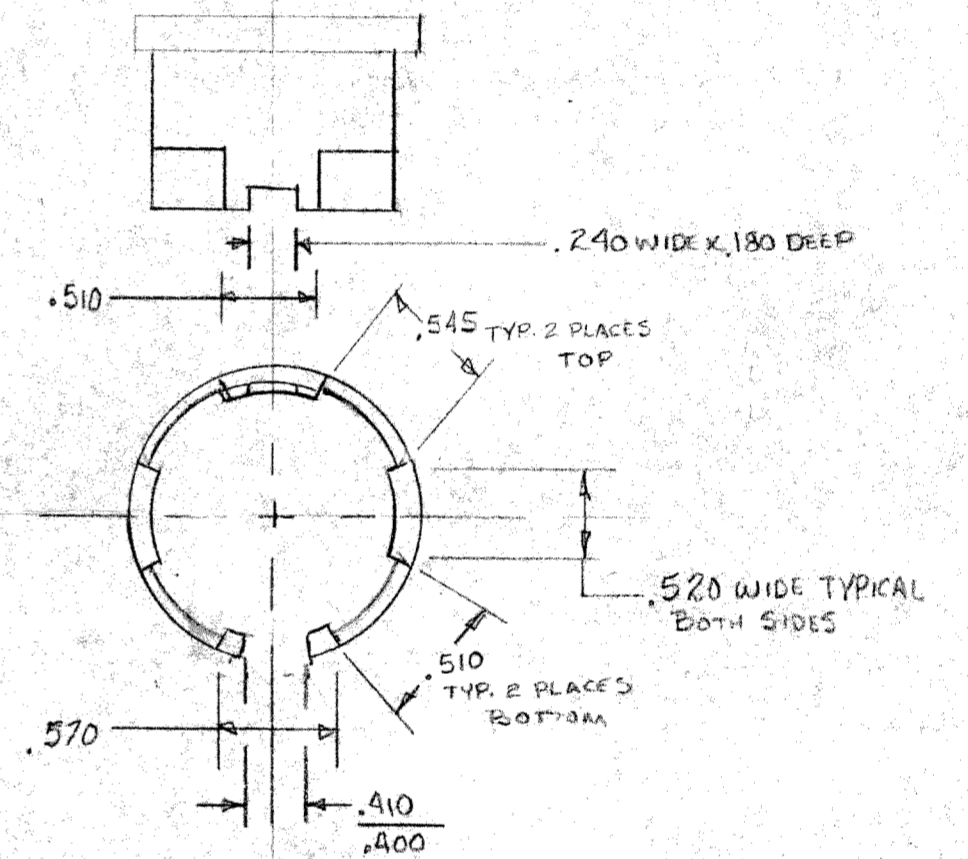
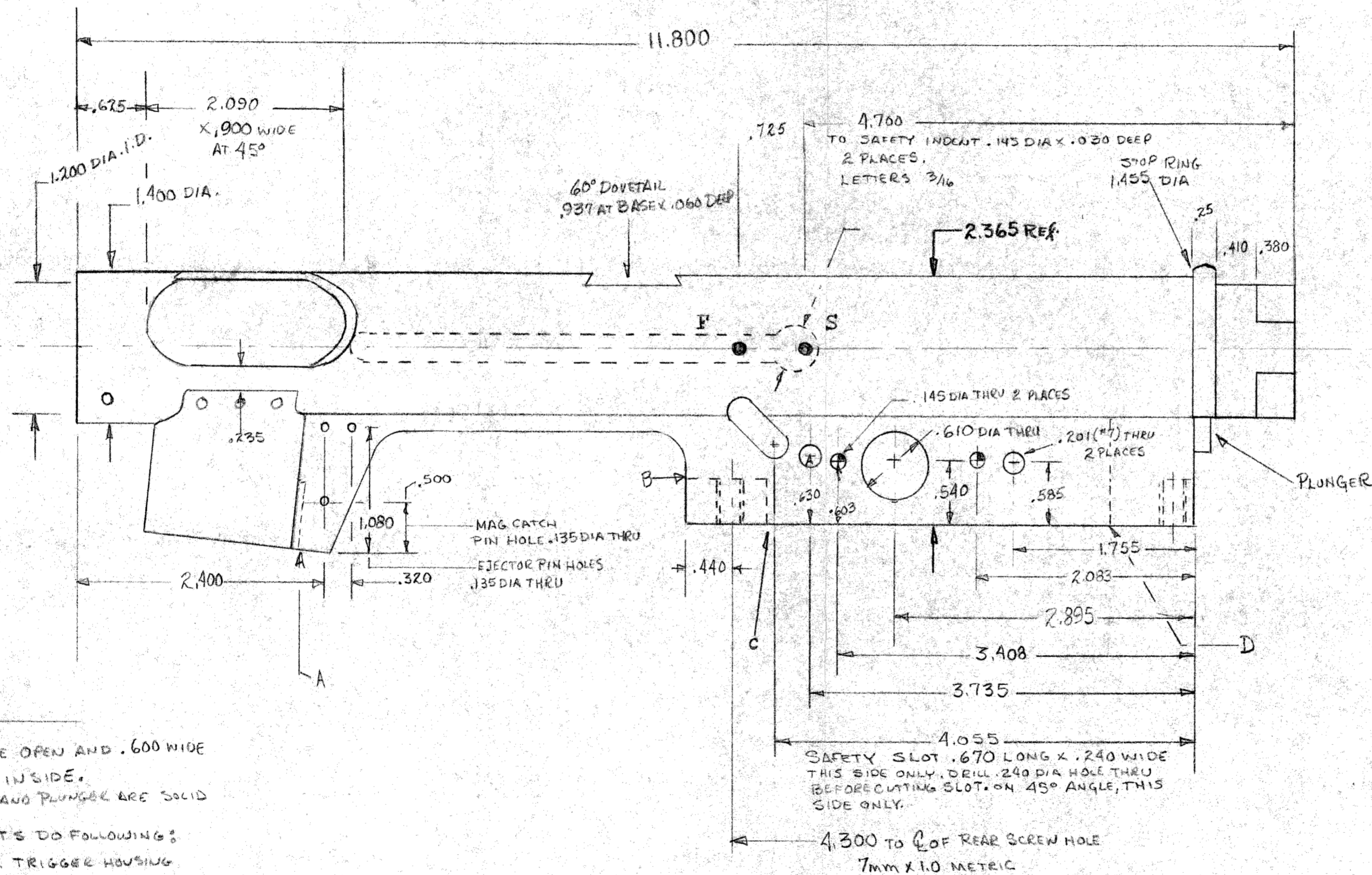
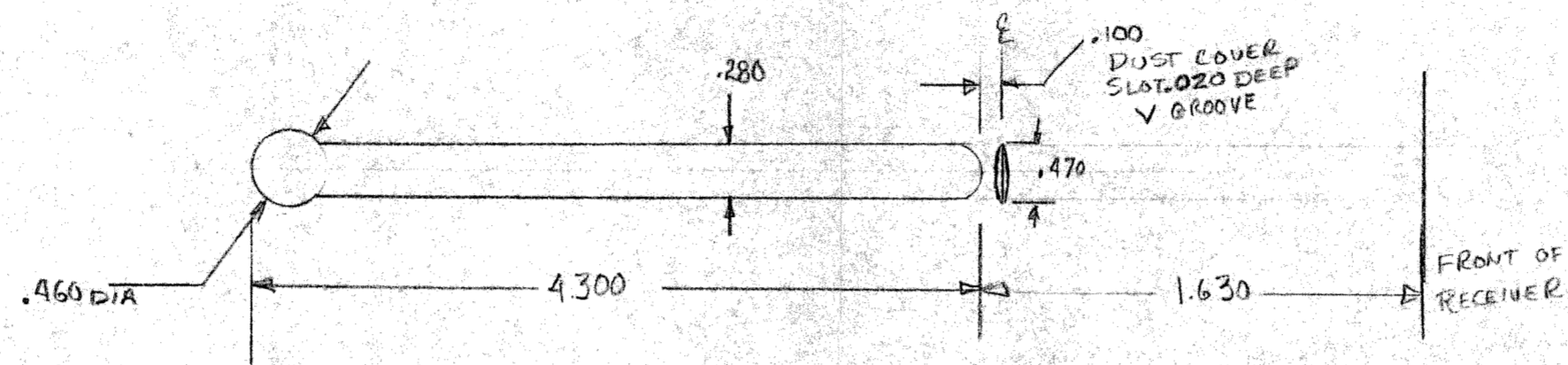
SECTION A-A



SECTION B-B

This drawing may be downloaded free of charge from <http://www.josreichert.com>. It is provided by Joseph Reichert, d/b/a/ Reichert Büchsenmacher (RB).

MP-38	
MATERIAL: 1/8 O.D. X 3/8 I.D. DOM STEEL TUBE	
FINISH: BLUE	
SCALE: FULL	SHEET 1 of 1



GENERAL NOTES

1. MATERIAL THICKNESS .100
2. AREAS A TO B AND C TO D ARE OPEN AND .600 WIDE ON OUTSIDE AND .400 TO .410 ON INSIDE.
3. BLOCKS BETWEEN BAND C, D AND PLUNGER ARE SOLID
4. IF REBUILDING FROM KIT PARTS DO FOLLOWING:
 - A. TRIM TUBING AWAY FROM TRIGGER HOUSING.
 - B. TURN TUBE (NEW) TO 1.400 O.D.
 - C. BORE TUBE (NEW) TO 1.200 I.D., THEN SLOT BOTTOM TO .410 WIDTH
 - D. FIT TUBE TO EXISTING REMAINS.
 - E. TACK WELD IN PLACE.
 - F. FIT END CAP RETAINING END TO TUBE AND TACK.
 - G. CHECK FOR ALIGNMENT WITH TRIGGER HOUSING AND BUTT STOCK BEFORE FINAL WELD.
 - H. FINISH WELD AND FINAL MACHINE.

WARNING!!
COMPLETION OF THIS PART
REQUIRES PRIOR BATE APPROVAL.

This drawing may be
downloaded free of charge from
<http://www.josreichert.com>. It is
provided by Joseph Reichert,
d/b/a/ Reichert Büchsenmacher
(RB).

BERETTA 38A - THIRD VERSION	
SCALE: FULL	DRAWN BY W.S.
DATE: 7-13-89	REVISED
RECEIVER - 38A AND 38/44	
MATERIAL: 1 1/2" O.D. X 1 3/16" I.D. STEEL DOM TUBE	DRAWING NUMBER
FINISH: BLUE	B-100